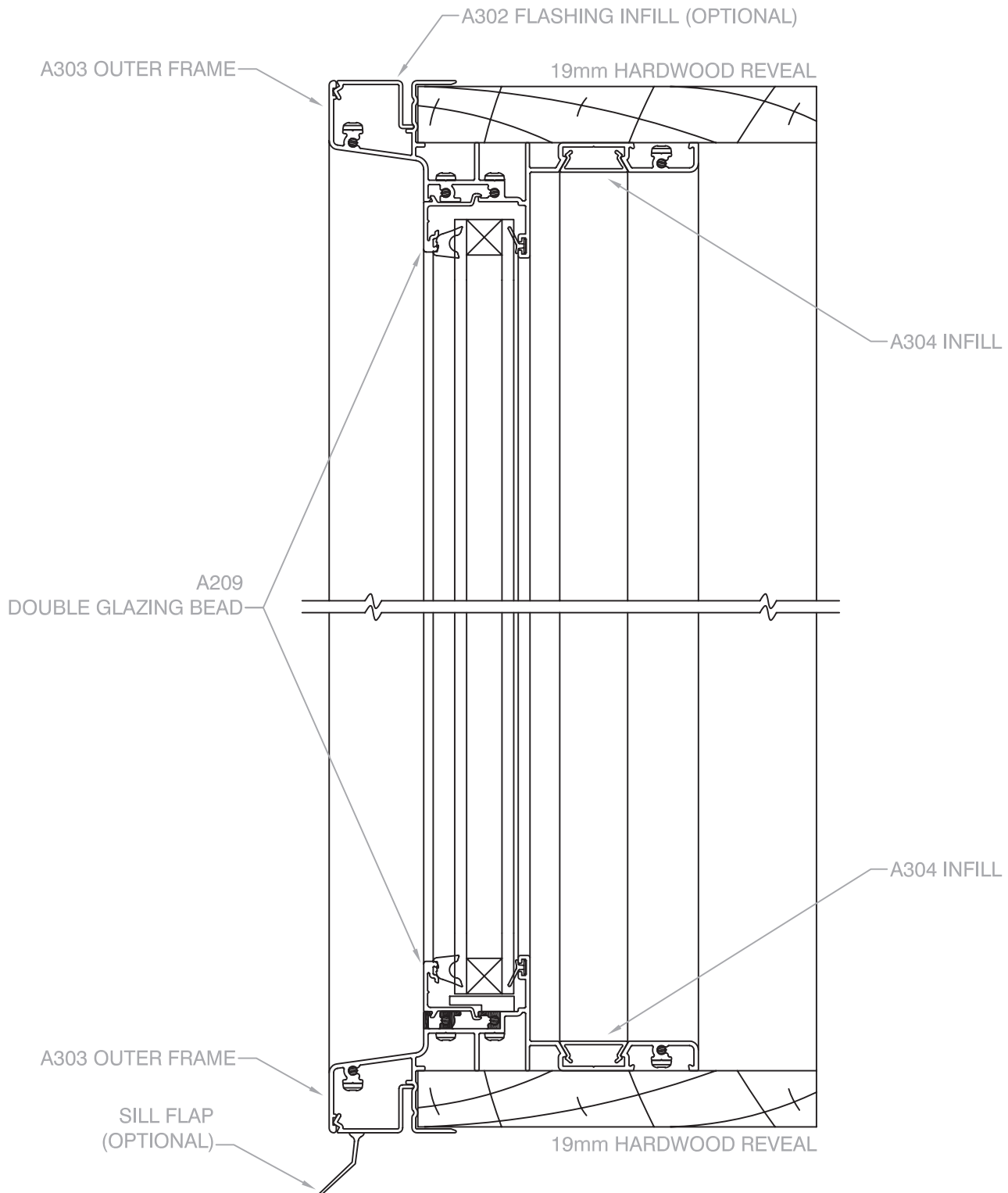


SUPERLITE WINDOW

AA SERIES

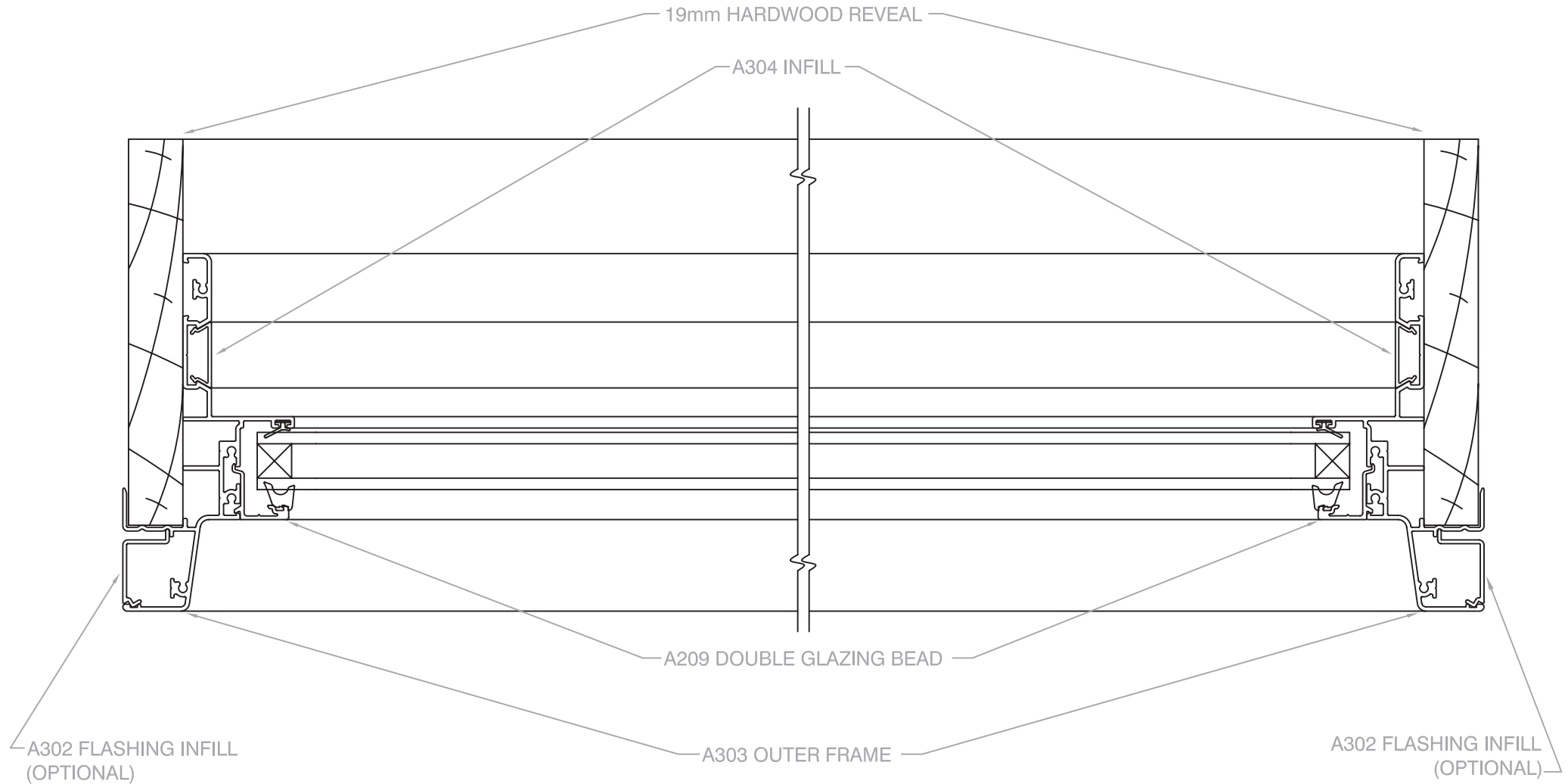


Scale 1 : 2 @ A4, Vertical Cross Section

The intellectual property on this drawing including rights in respect of copyright & patents are owned by Rylock Pty. Ltd. All rights reserved. This drawing expires 31 December, 2013 or earlier. Visit www.rylock.com for most current version

SUPERLITE WINDOW

AA SERIES



Scale 1 : 2 @ A4, Horizontal Cross Section

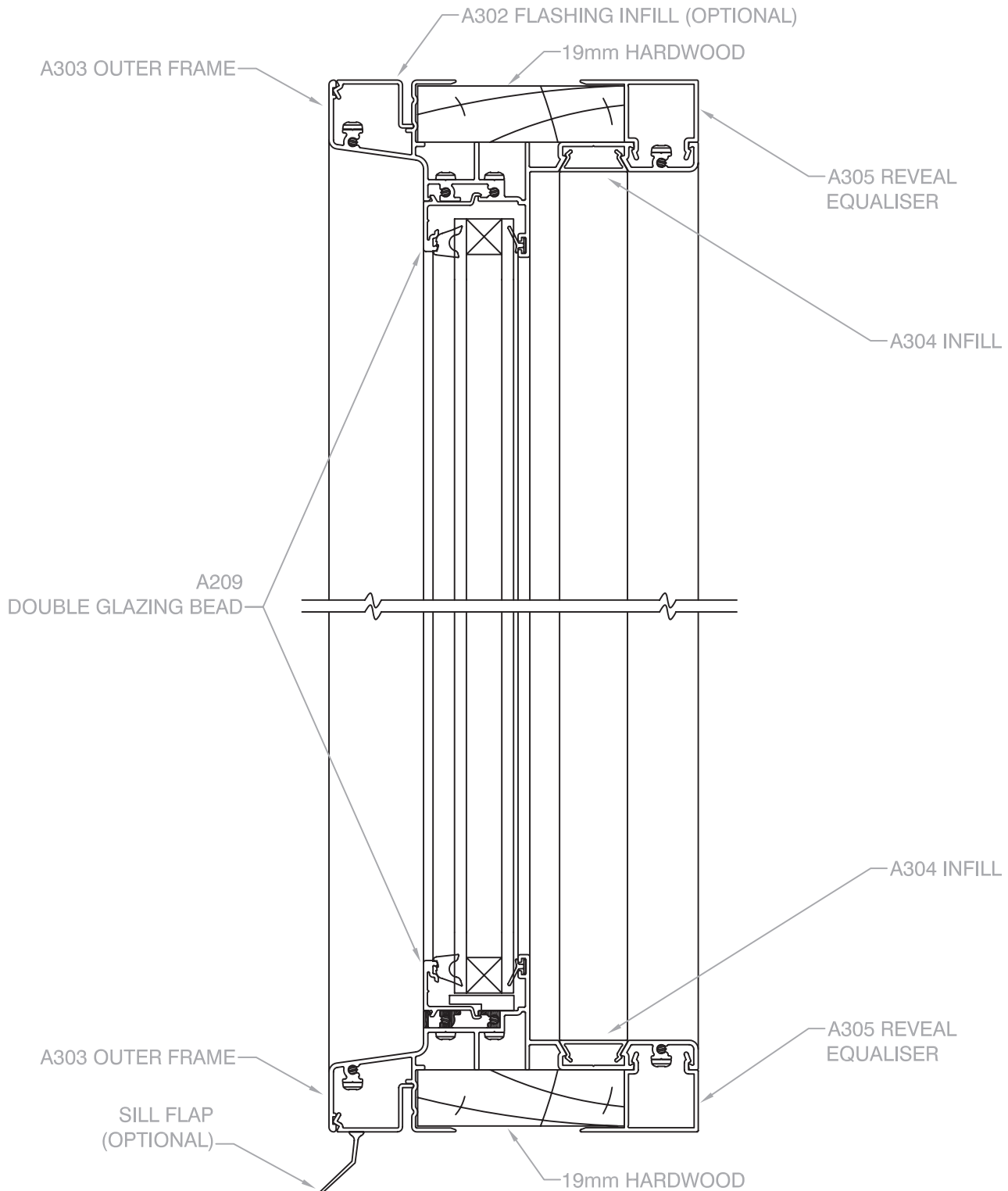
The intellectual property on this drawing including rights in respect of copyright & patents are owned by Rylock Pty. Ltd. All rights reserved. This drawing expires 31 December, 2013 or earlier. Visit www.rylock.com for most current version

SUPERLITE WINDOW

(with reveal equaliser)



AA SERIES

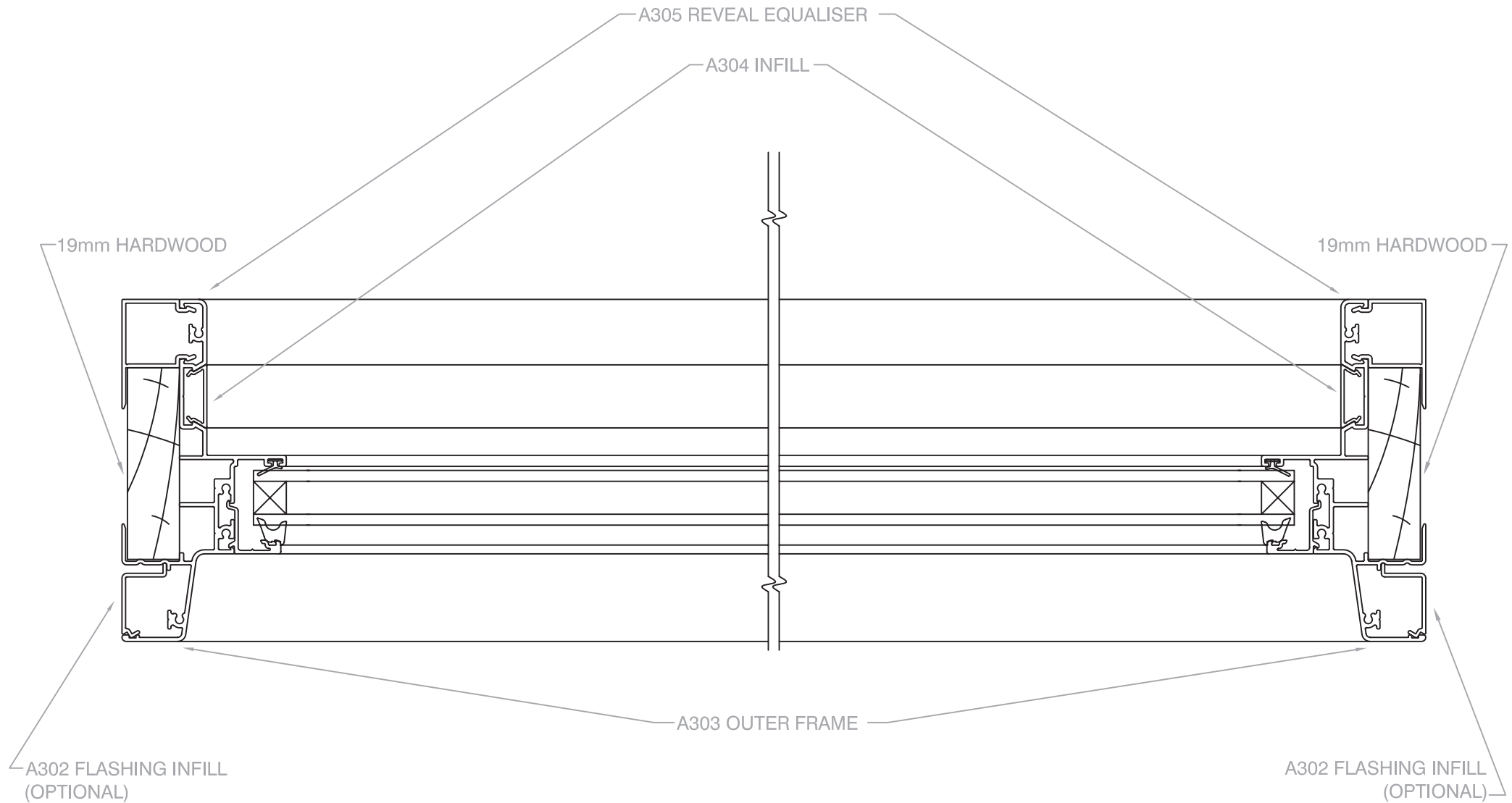


Scale 1 : 2 @ A4, Vertical Cross Section showing A305 Reveal Equaliser

The intellectual property on this drawing including rights in respect of copyright & patents are owned by Rylock Pty. Ltd. All rights reserved. This drawing expires 31 December, 2013 or earlier. Visit www.rylock.com for most current version

SUPERLITE WINDOW (with reveal equaliser)

AA SERIES



Scale 1 : 2 @ A4, Horizontal Cross Section, illustrating the fitment of the A305 Reveal Equaliser

The intellectual property on this drawing including rights in respect of copyright & patents are owned by Rylock Pty. Ltd.
All rights reserved. This drawing expires 31 December, 2013 or earlier. Visit www.rylock.com for most current version