

SUPERLITE WINDOW

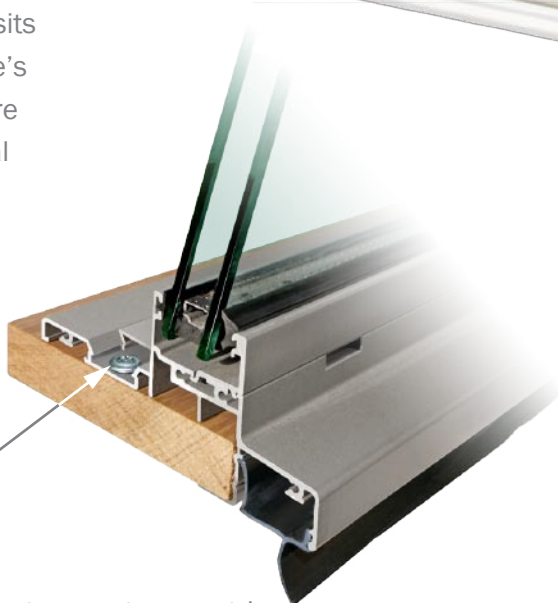
AA SERIES



The SuperLite framing system caters to larger fixed windows, whilst also accommodating hinged & sashless operable elements for ventilation purposes



The timber reveal sits inline with the frame's outer face, except where the optional 'no reveal equaliser' is used to neatly couple with Rylock door frames



A fixing pocket that accepts a neat cover strip means SuperLite frames are both easy to install and suited to a wide variety of walling types. An optional infill introduces a 15 x 3mm pocket for fitting flashings to fit into.

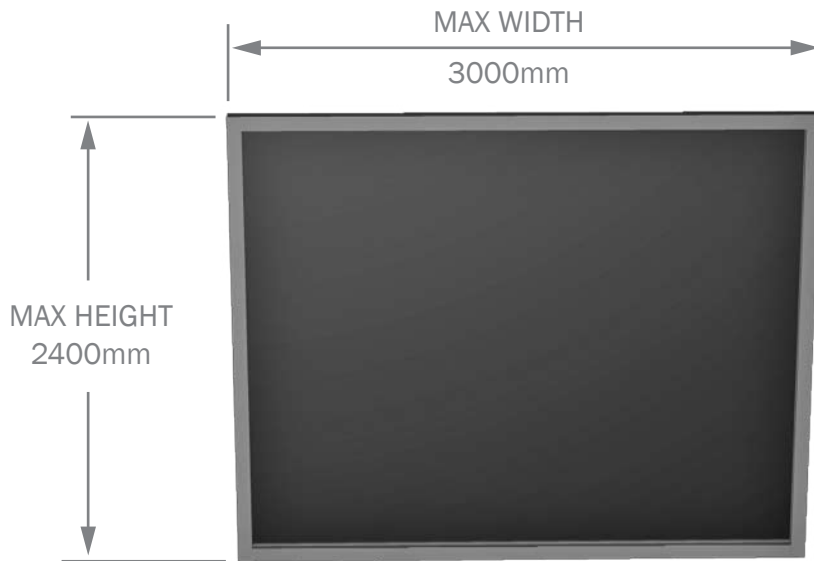
Mitred corners enhance the clean appearance of the window. All fixings are made from durable stainless steel

All glass is installed into dual vinyl sided rebates, ensuring vibration free glazing. A co-extruded santoprene inner seal resists shrinkage & also assists with weatherproofing

SUPERLITE WINDOW

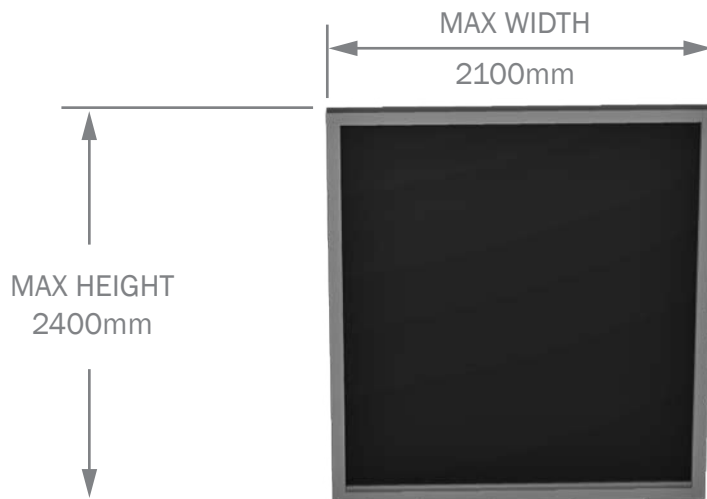


AA SERIES



SINGLE GLAZED SIZES

NOTE THAT HEIGHT & WIDTH MAY BE CHANGED AS LONG AS TOTAL AREA REMAINS THE SAME



DOUBLE GLAZED SIZES

NOTE THAT HEIGHT & WIDTH MAY BE CHANGED, AS LONG AS THE TOTAL AREA REMAINS THE SAME

NOTE: ALL SIZES ARE TYPICAL RATHER THAN DEFINITIVE. FOR SIZES OUTSIDE THESE - INCLUDING MULTIPLE, COUPLED UNITS - PLEASE DISCUSS WITH YOUR RYLOCK SALES CONSULTANT

Sizing

Window style & opening detail should be considered as viewed externally

Sizes indicated are the overall window size. Reveal is inline with outer frame dimension.

For Stud openings add 20mm to both height & width

Glazing

Glazing strength to minimum N3 rating as per AS4055 - 2006

Single glazed versions typically contain 10mm toughened glass

Double glazed versions typically contain 6mm toughened glass, 10mm air space, 6mm toughened glass

Certification

Certified performance data including WERS ratings are available for this product on request

Specify

Frame colour, configuration, height, width & overall depth

Optional: frame equaliser, frame infill, sill flap, glass type