

AWNING WINDOW

SG SERIES

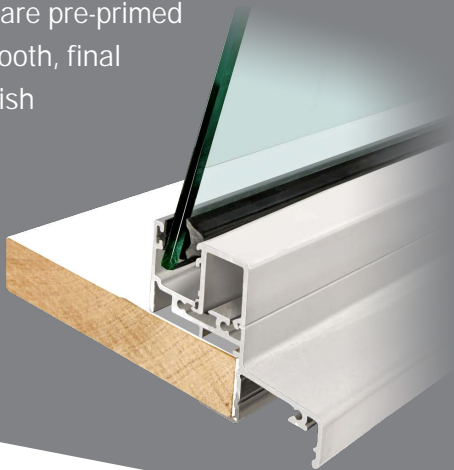


When fully open, stainless steel, double-action stays help the sash open slightly at the top, encouraging more efficient ventilation



With the open part of the window at the bottom, ventilation can even occur when it is raining

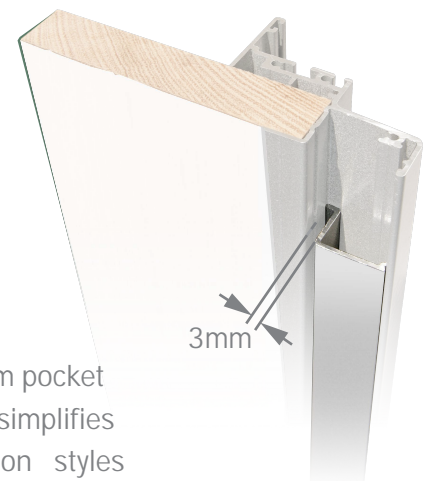
Reveals are pre-primed for a smooth, final paint finish



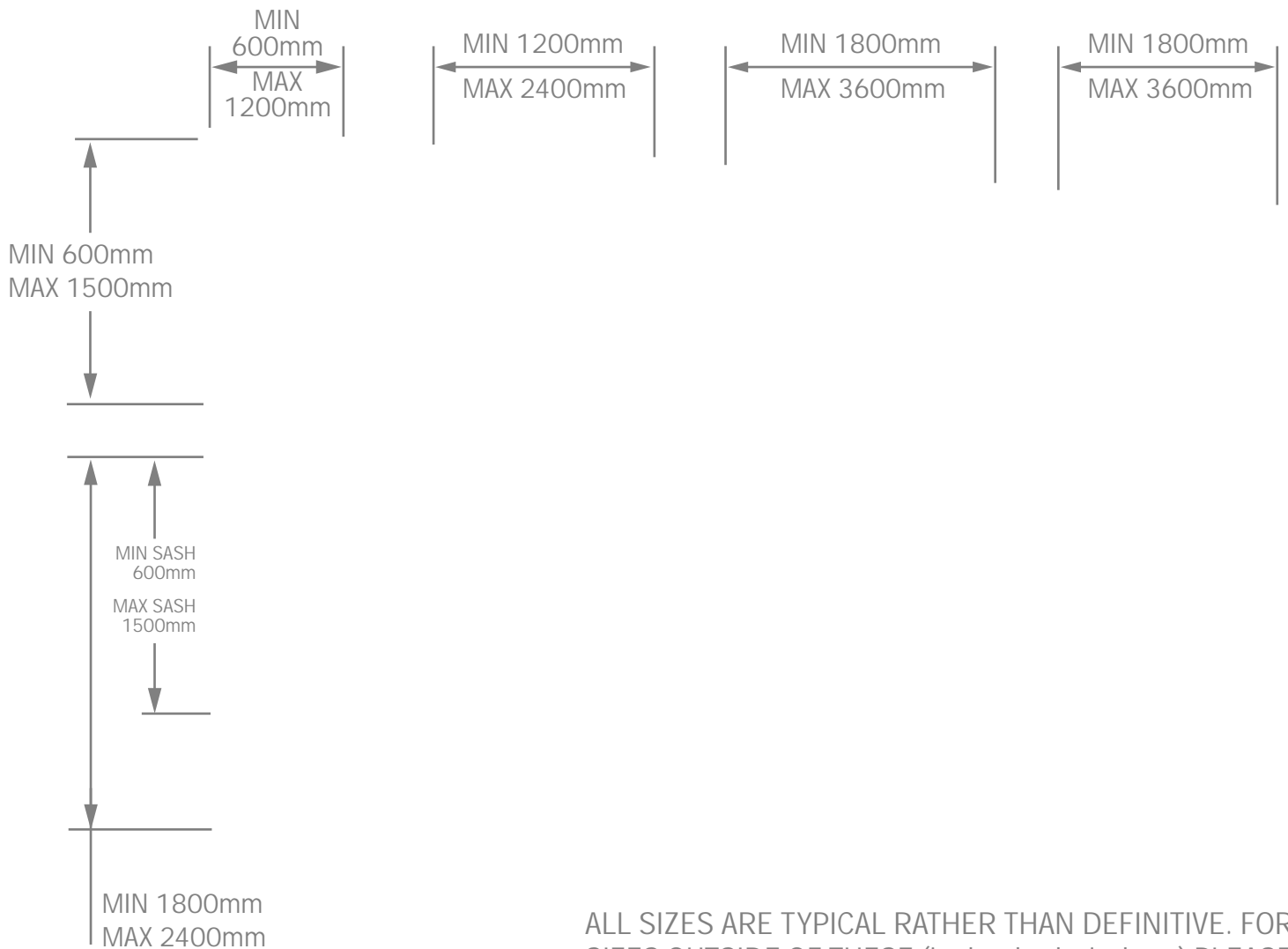
Lockable chainwinders are standard fitment

A wide selection of high performance glass types can be specified within the SG Series. These include body tints, super tints & a range of laminated glass up to 6.76mm in thickness

The optional snap-in frame closure has a 15 x 3mm pocket to insert flashing into, whilst the inline reveal simplifies installation into a broad range of construction styles



AWNING WINDOW



ALL SIZES ARE TYPICAL RATHER THAN DEFINITIVE. FOR SIZES OUTSIDE OF THESE (incl. raked windows) PLEASE DISCUSS WITH YOUR RYLOCK SALES CONSULTANT

Window style & opening detail should be considered as viewed externally

Sizes indicated are the overall window size. Reveal is inline with outer frame dimension.

For Stud openings add 20mm to both height & width

Glazing strength to minimum N3 rating as per AS4055 - 2006

Maximum glass thickness is 6.76mm (laminated)

Certified performance data including WERS ratings are available for this product on request

Frame colour, configuration, height, width & overall depth

Optional: chainwinder colour, frame infill, sill flap, glass type