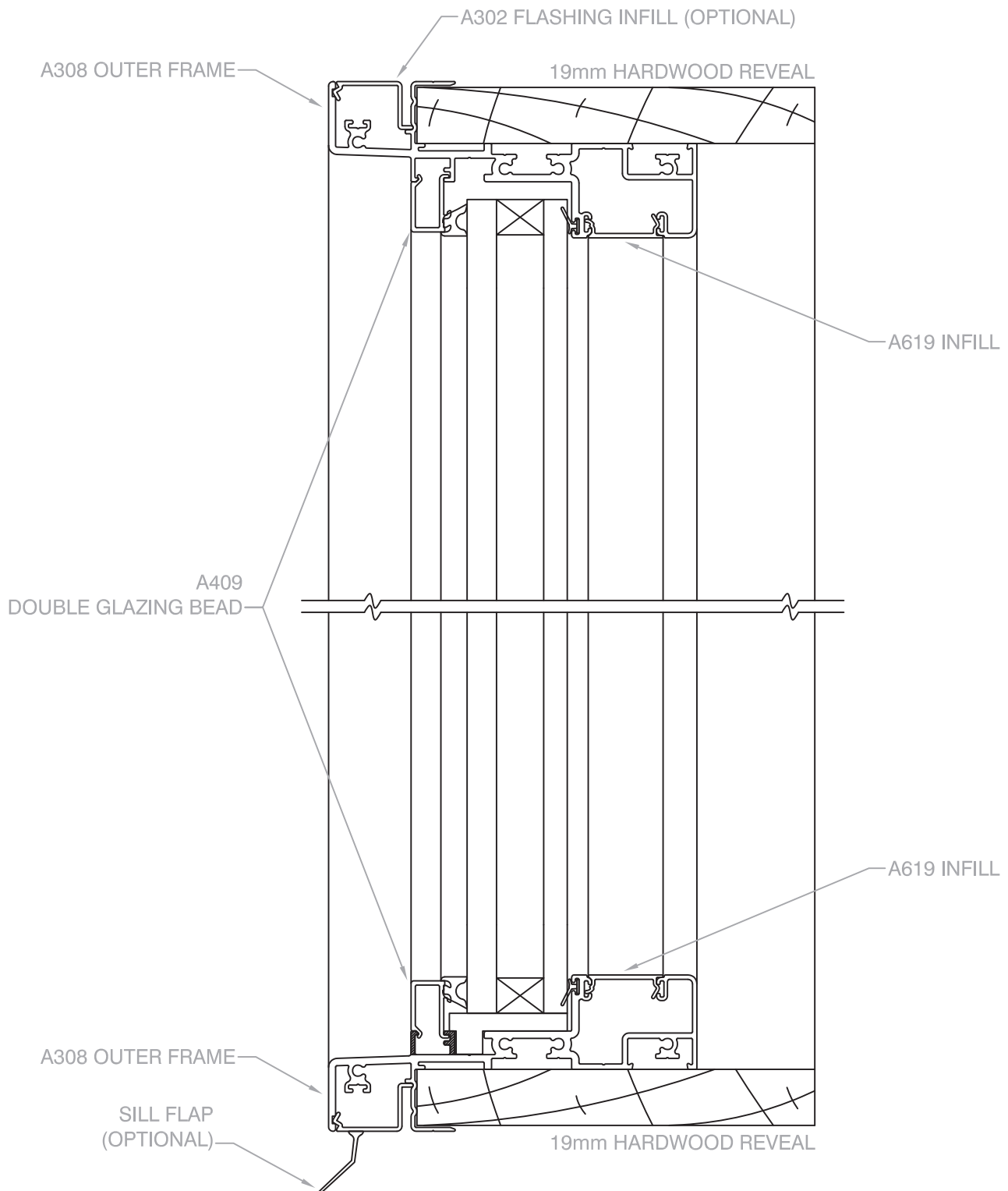


# COMMERCIAL DG LITE

AA SERIES



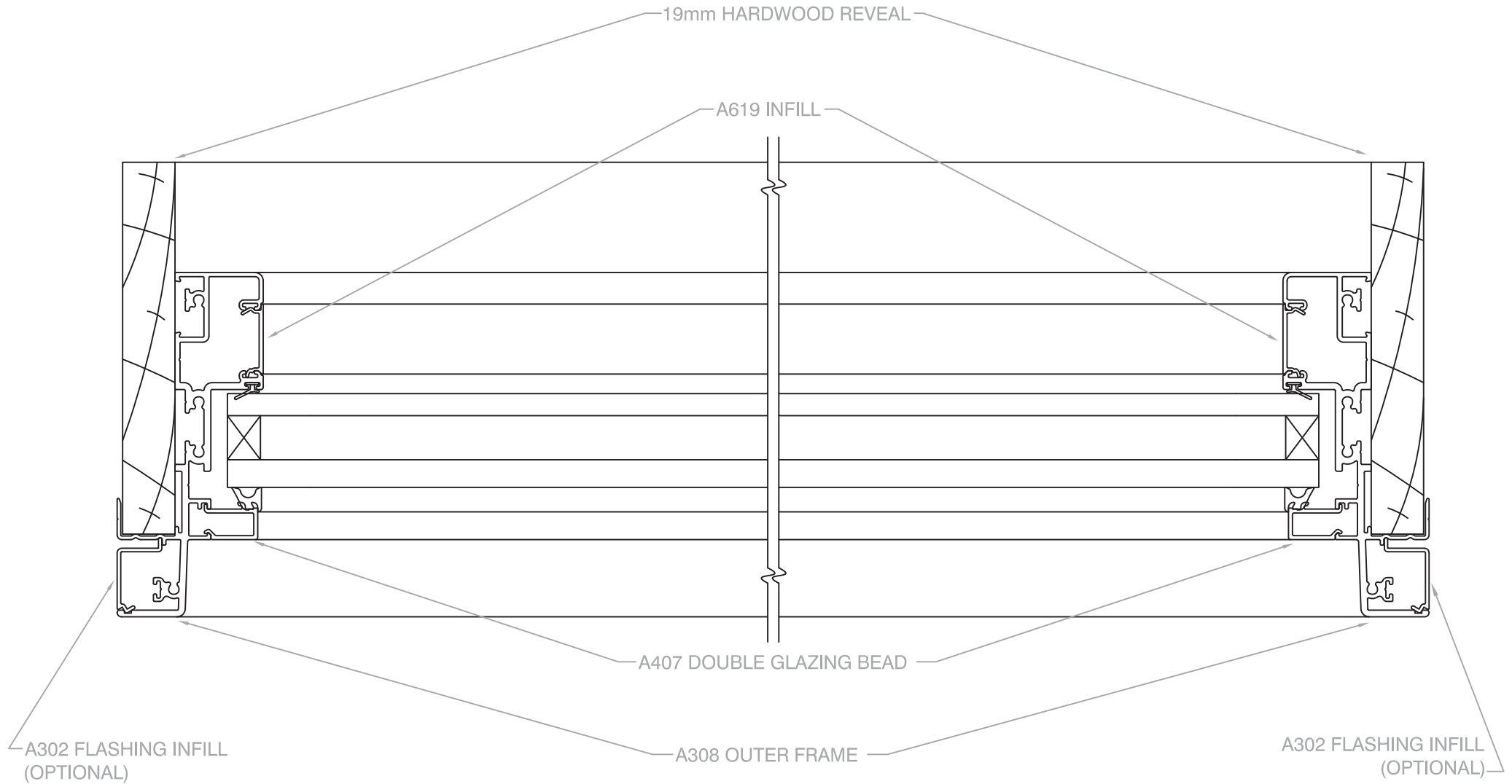
Scale 1 : 2 @ A4, Vertical Cross Section

The intellectual property on this drawing including rights in respect of copyright & patents are owned by Rylock Pty. Ltd. All rights reserved. This drawing expires 31 December, 2014 or earlier. Visit [www.rylock.com](http://www.rylock.com) for most current version

V13.1

# COMMERCIAL DG LITE

AA SERIES



Scale 1 : 2 @ A4, Horizontal Cross Section

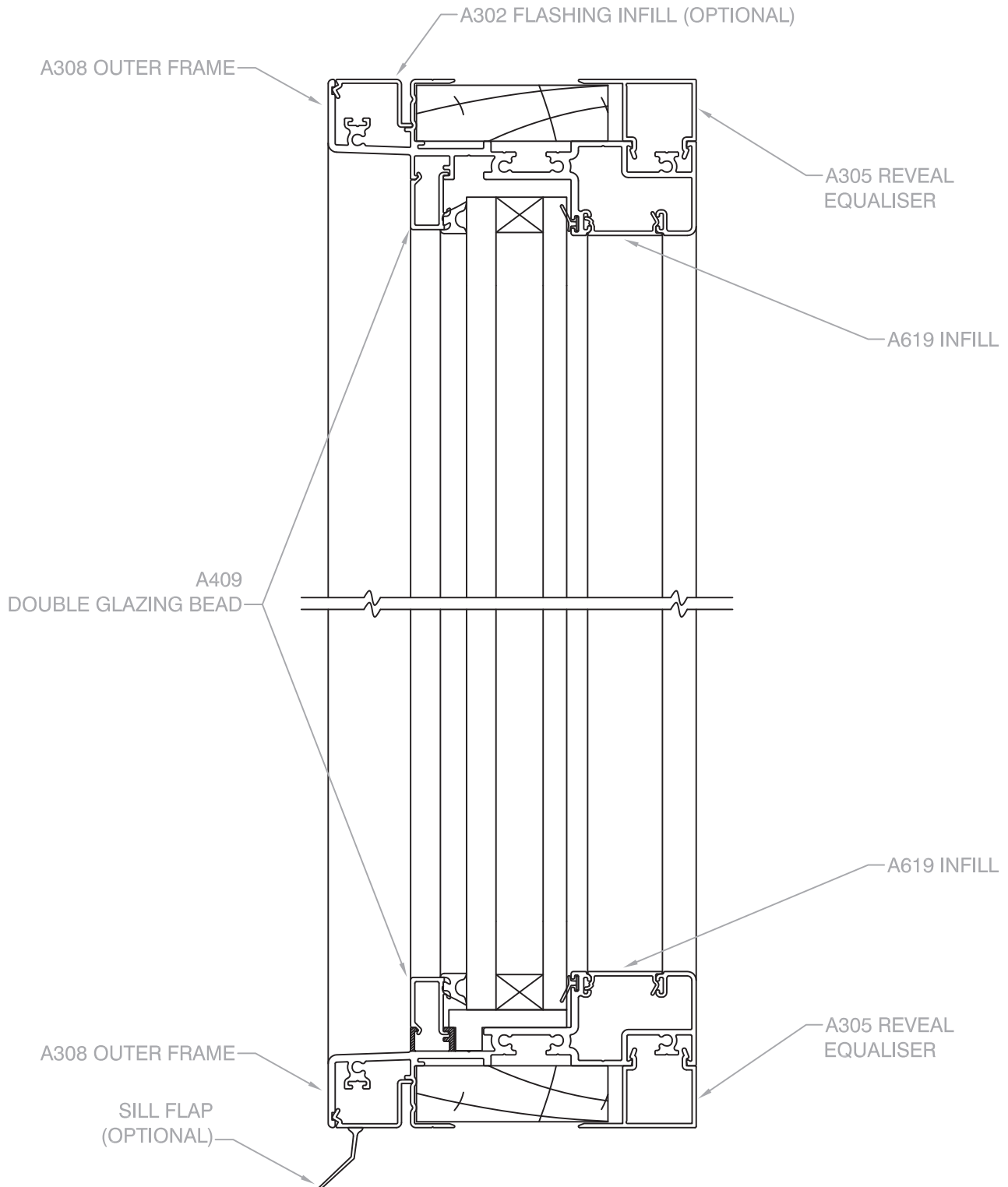
The intellectual property on this drawing including rights in respect of copyright & patents are owned by Rylock Pty. Ltd. All rights reserved. This drawing expires 31 December, 2014 or earlier. Visit [www.rylock.com](http://www.rylock.com) for most current version

# COMMERCIAL DG LITE

(with reveal equaliser)



**AA SERIES**

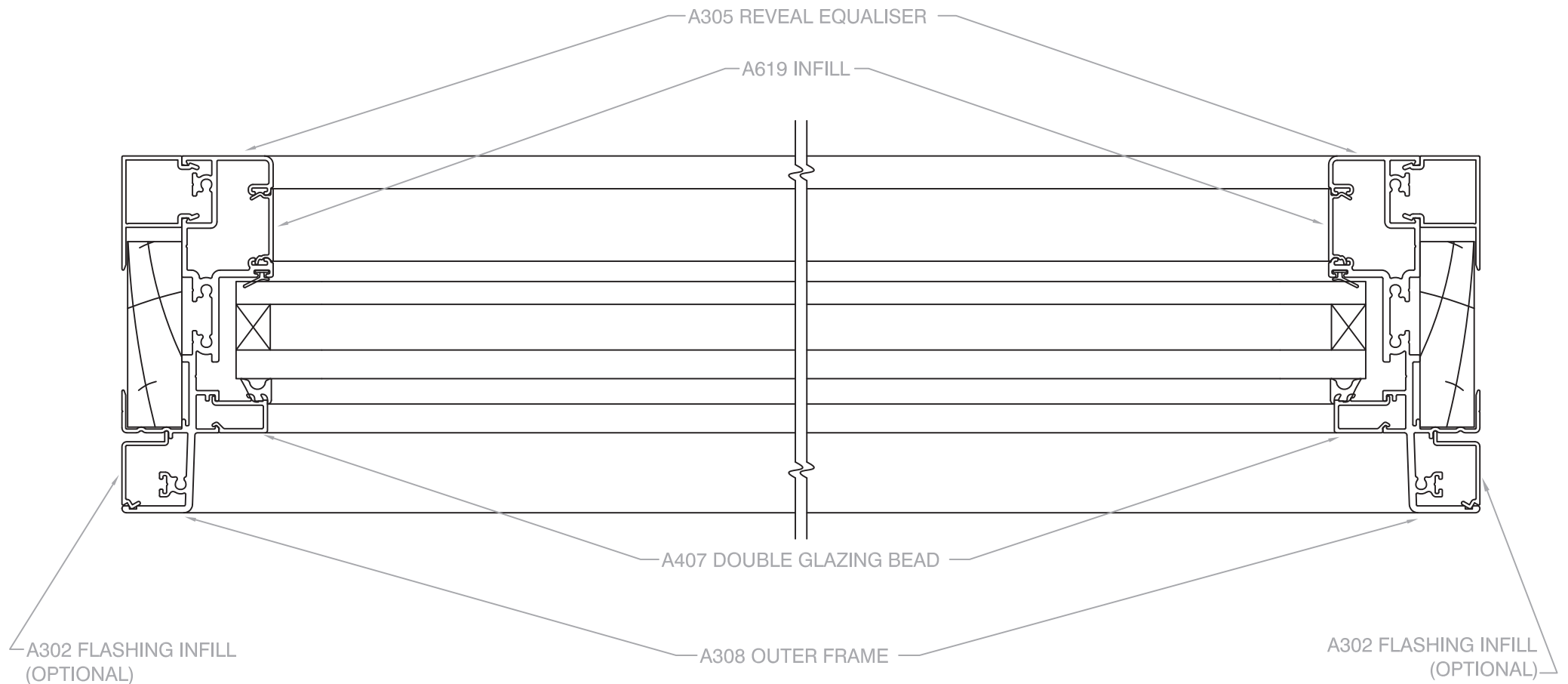


**Scale 1 : 2 @ A4, Vertical Cross Section showing A305 Reveal Equaliser**

The intellectual property on this drawing including rights in respect of copyright & patents are owned by Rylock Pty. Ltd. All rights reserved. This drawing expires 31 December, 2014 or earlier. Visit [www.rylock.com](http://www.rylock.com) for most current version

# COMMERCIAL DG LITE (with reveal equaliser)

AA SERIES



Scale 1 : 2 @ A4, Horizontal Cross Section, showing A305 Reveal Equaliser

The intellectual property on this drawing including rights in respect of copyright & patents are owned by Rylock Pty. Ltd. All rights reserved. This drawing expires 31 December, 2014 or earlier. Visit [www.rylock.com](http://www.rylock.com) for most current version