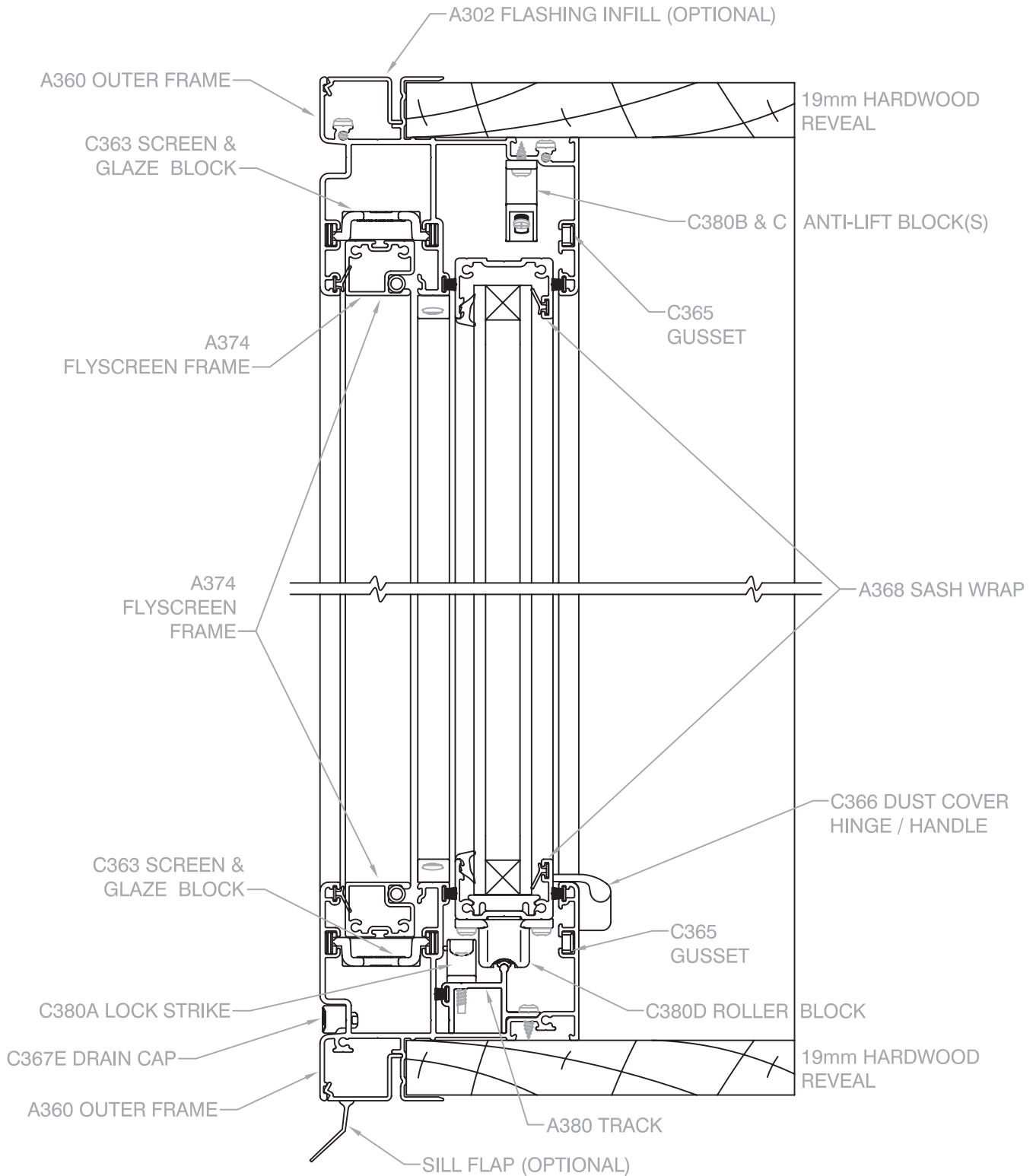


HORIZONTAL SLIDING WINDOW

AA SERIES

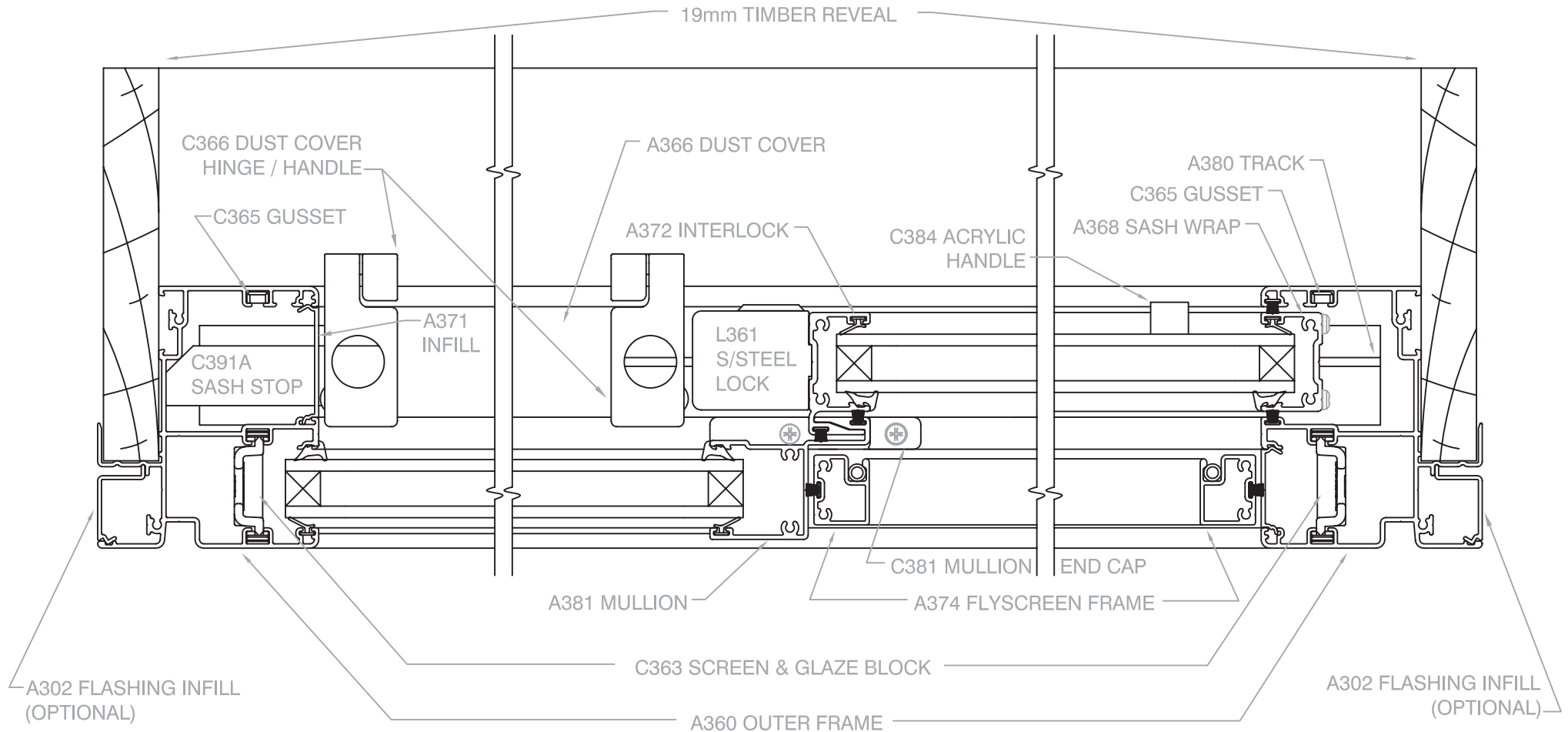


Scale 1 : 2 @ A4, Vertical Cross Section

The intellectual property on this drawing including rights in respect of copyright & patents are owned by Rylock Pty. Ltd. All rights reserved. This drawing expires 31 December, 2014 or earlier. Visit www.rylock.com for most current version

HORIZONTAL SLIDING WINDOW

AA SERIES

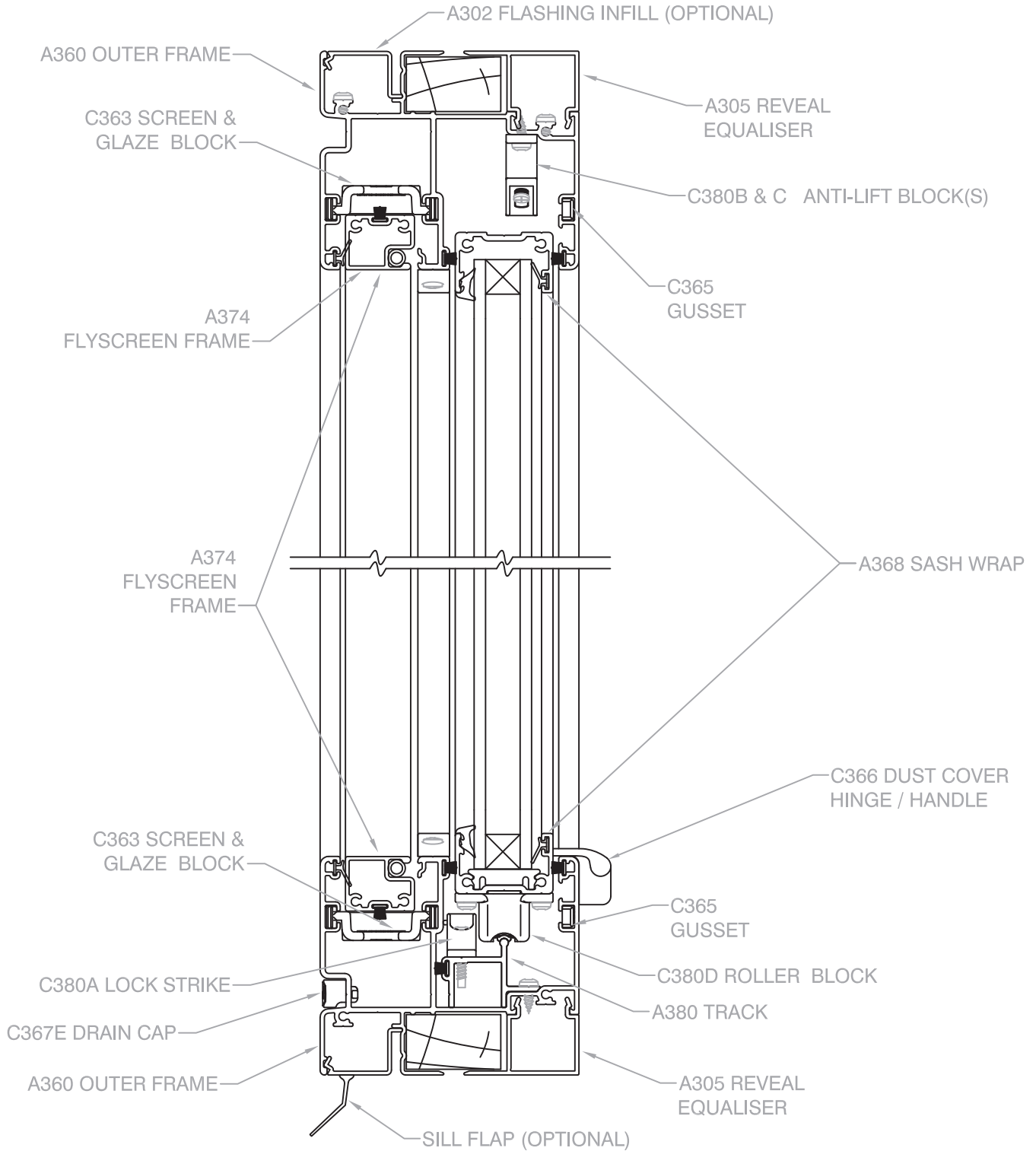


Scale 1 : 2 @ A4, Horizontal Cross Section

The intellectual property on this drawing including rights in respect of copyright & patents are owned by Rylock Pty. Ltd. All rights reserved. This drawing expires 31 December, 2014 or earlier. Visit www.rylock.com for most current version

HORIZONTAL SLIDING WINDOW (with Reveal Equaliser)

AA SERIES



Scale 1 : 2 @ A4, Vertical Cross Section illustrating A305 Reveal Equaliser

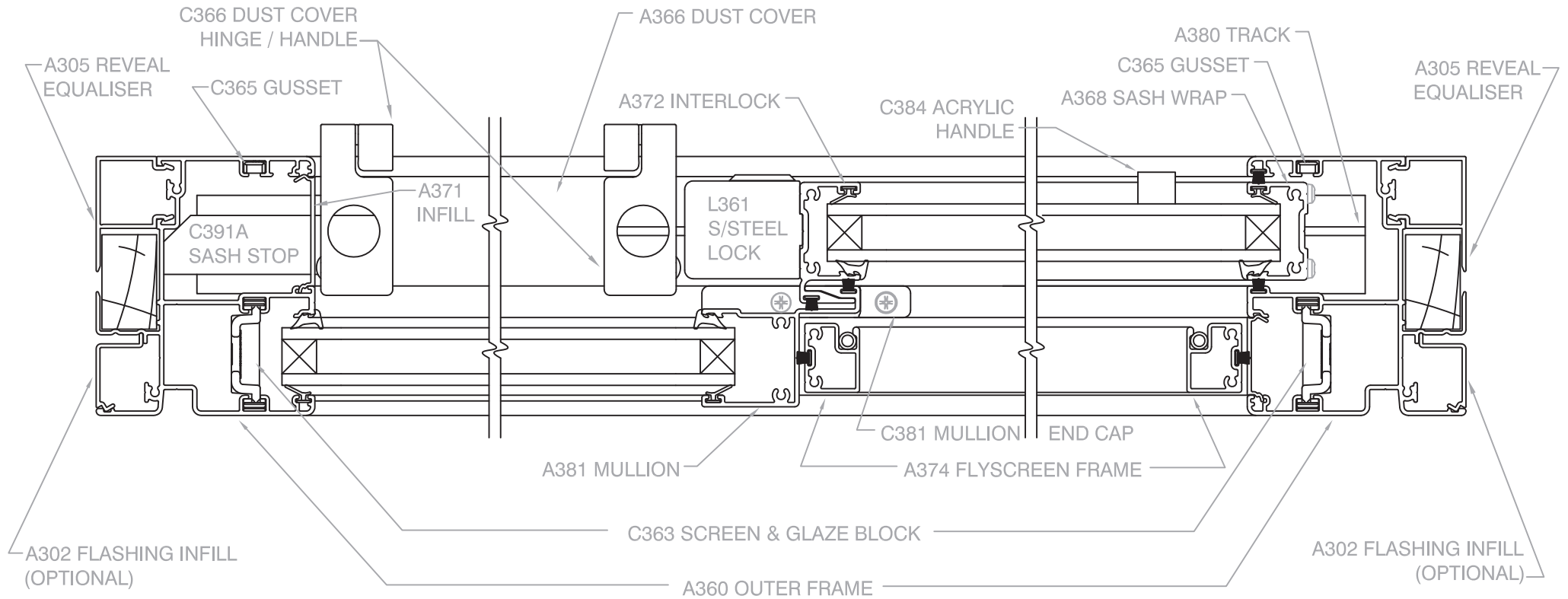
The intellectual property on this drawing including rights in respect of copyright & patents are owned by Rylock Pty. Ltd. All rights reserved. This drawing expires 31 December, 2014 or earlier. Visit www.rylock.com for most current version

HORIZONTAL SLIDING WINDOW

(with Reveal Equaliser)



AA SERIES



Scale 1 : 2 @ A4, Horizontal Cross Section illustrating A305 Reveal Equaliser

The intellectual property on this drawing including rights in respect of copyright & patents are owned by Rylock Pty. Ltd. All rights reserved. This drawing expires 31 December, 2014 or earlier. Visit www.rylock.com for most current version