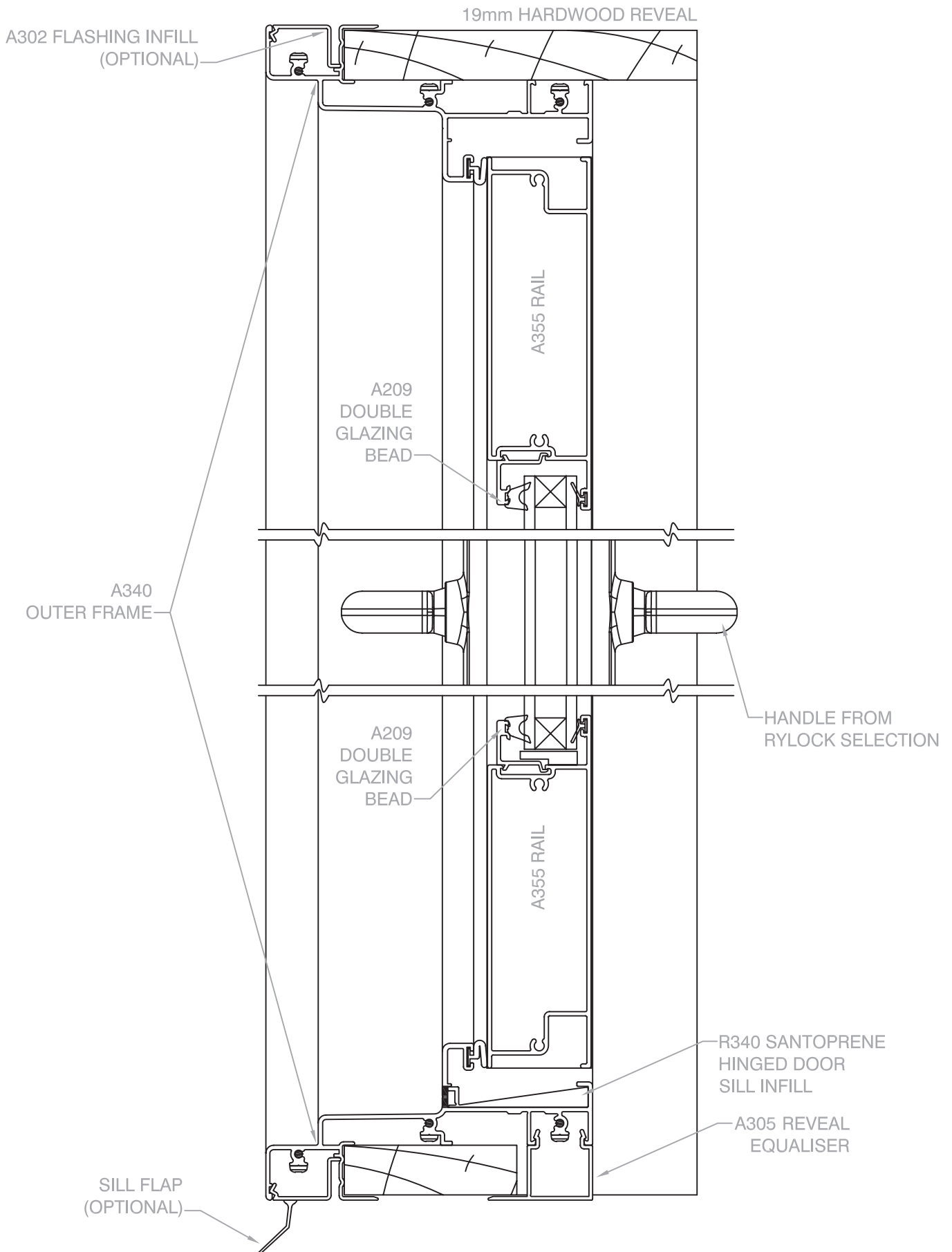


# HINGED DOOR OPEN-IN



## AA SERIES

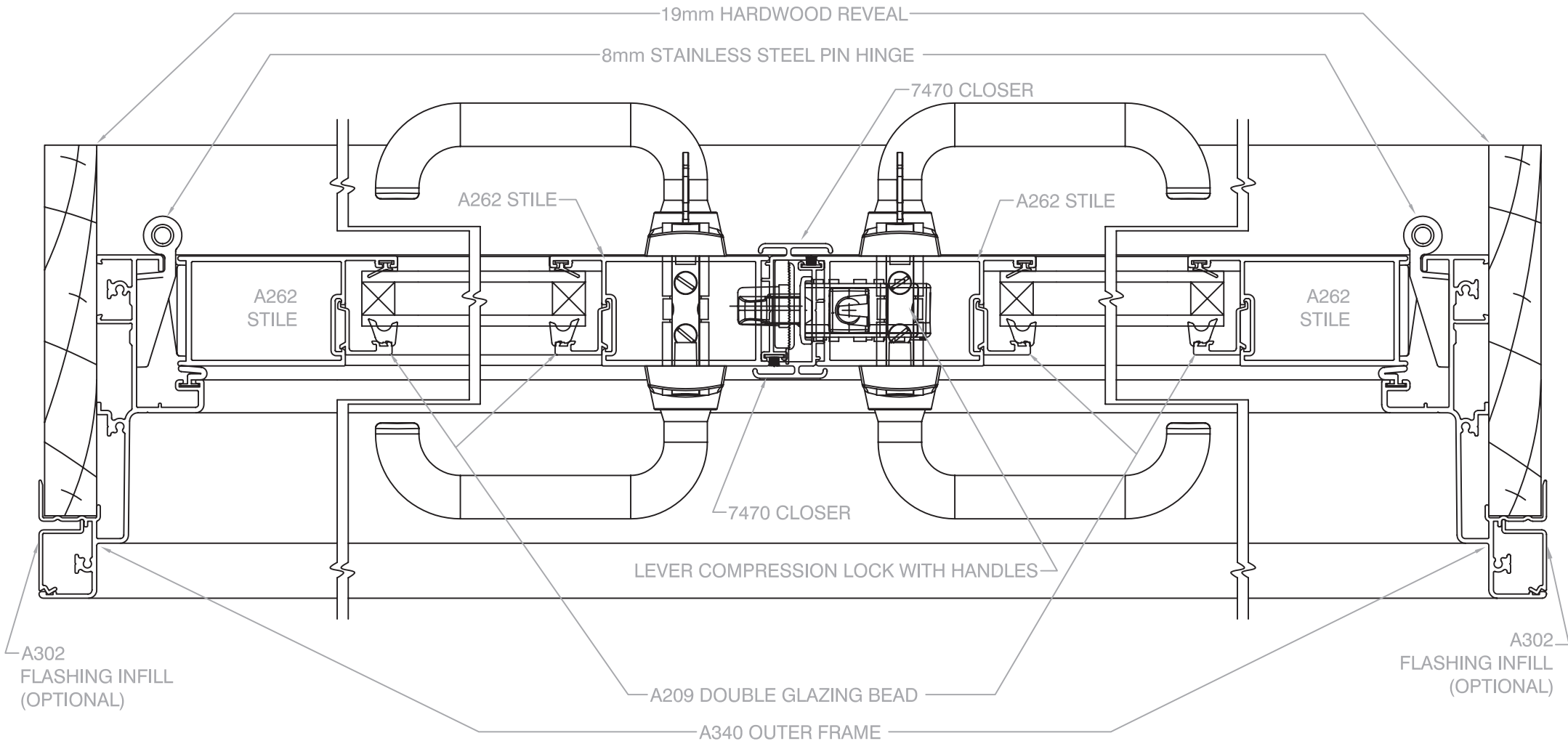


### Scale 1 : 2 @ A4, Vertical Cross Section

The intellectual property on this drawing including rights in respect of copyright & patents are owned by Rylock Pty. Ltd. All rights reserved. This drawing expires 31 December, 2014 or earlier. Visit [www.rylock.com](http://www.rylock.com) for most current version

# HINGED DOOR OPEN-IN

AA SERIES

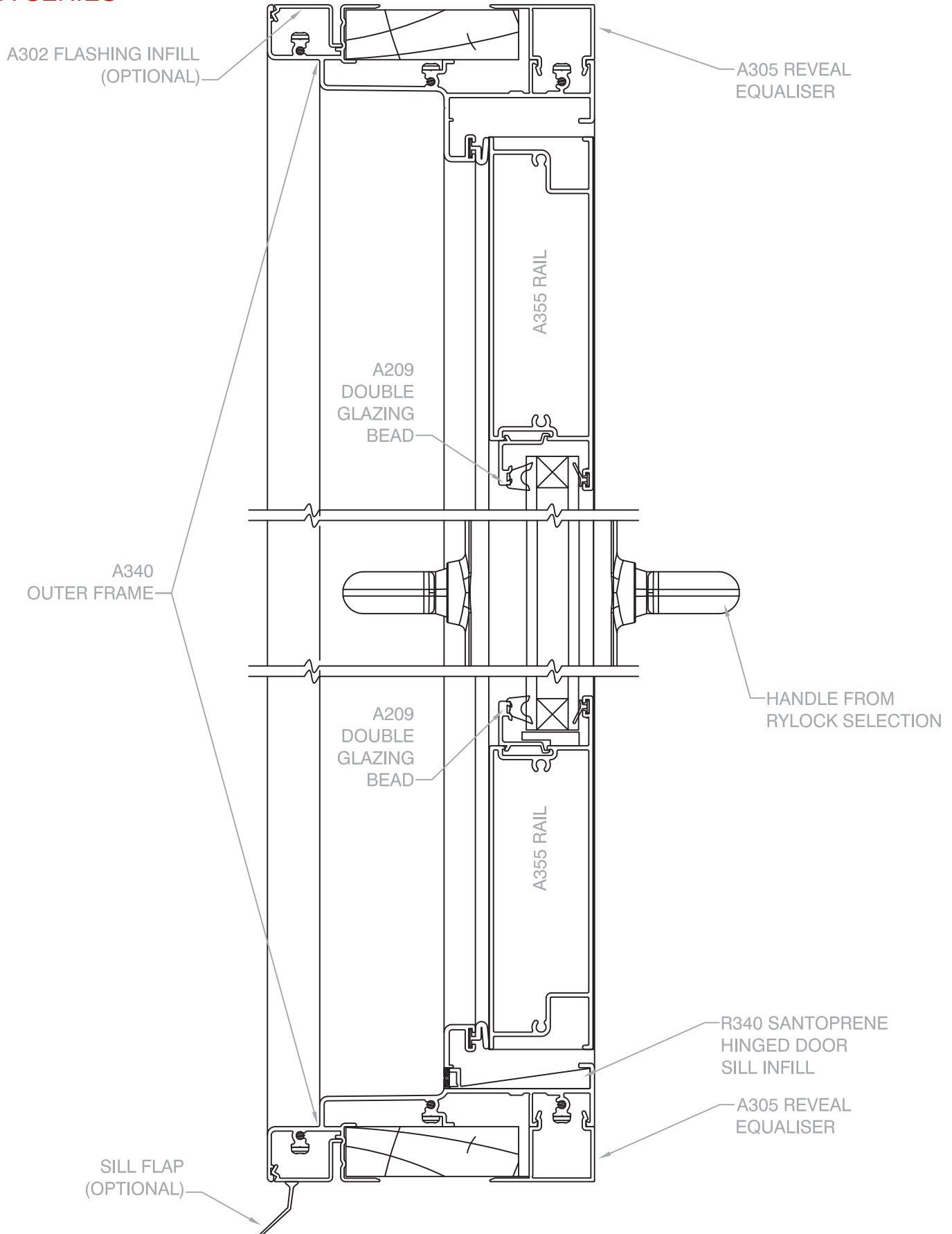


## Scale 1 : 2 @ A4, Horizontal Cross Section of French Door, Open-In

The intellectual property on this drawing including rights in respect of copyright & patents are owned by Rylock Pty. Ltd. All rights reserved. This drawings expires 31 December, 2014 or earlier. Visit [www.rylock.com](http://www.rylock.com) for most current version

# HINGED DOOR OPEN-IN (with Reveal Equaliser)

## AA SERIES

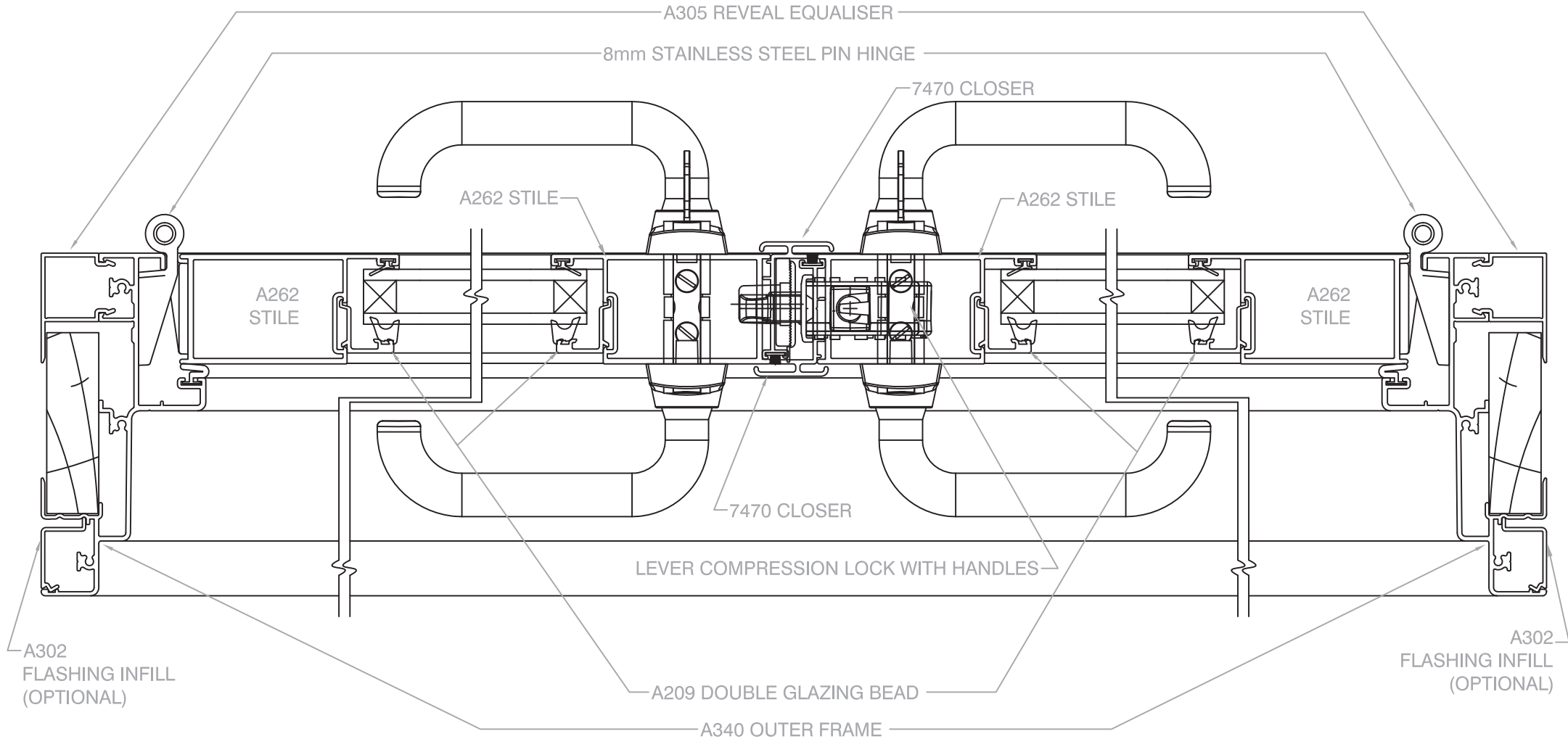


Scale 1 : 2 @ A4, Vertical Cross Section illustrating A305 Reveal Equaliser

The intellectual property on this drawing including rights in respect of copyright & patents are owned by Rylock Pty. Ltd. All rights reserved. This drawing expires 31 December, 2014 or earlier. Visit [www.rylock.com](http://www.rylock.com) for most current version

# HINGED DOOR OPEN-IN (with Reveal Equaliser)

AA SERIES



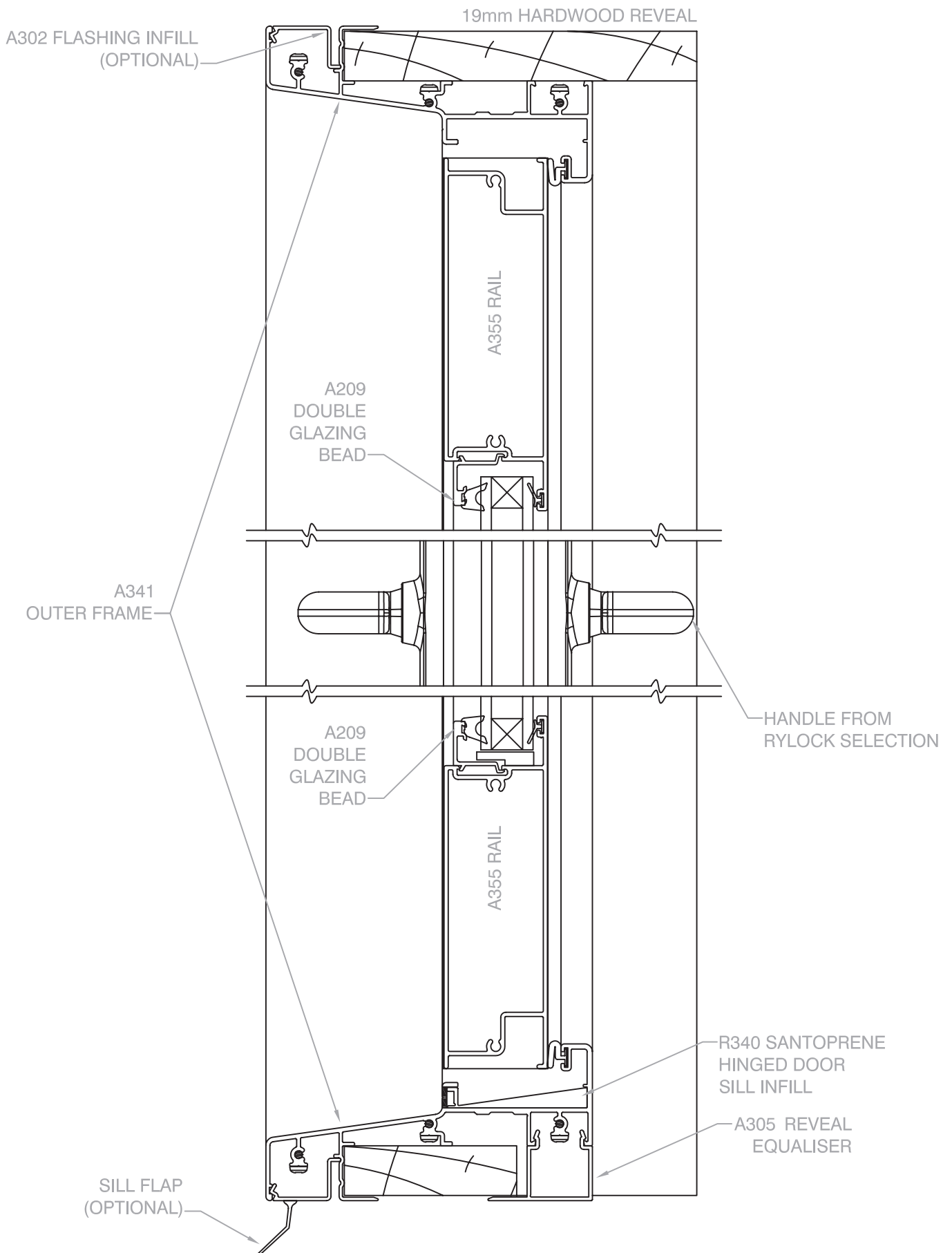
Scale 1 : 2 @ A4, Horizontal Cross Section of French Door, Open-In illustrating A305 Reveal Equaliser

The intellectual property on this drawing including rights in respect of copyright & patents are owned by Rylock Pty. Ltd.  
All rights reserved. This drawings expires 31 December, 2014 or earlier. Visit [www.rylock.com](http://www.rylock.com) for most current version

# HINGED DOOR OPEN-OUT



## AA SERIES

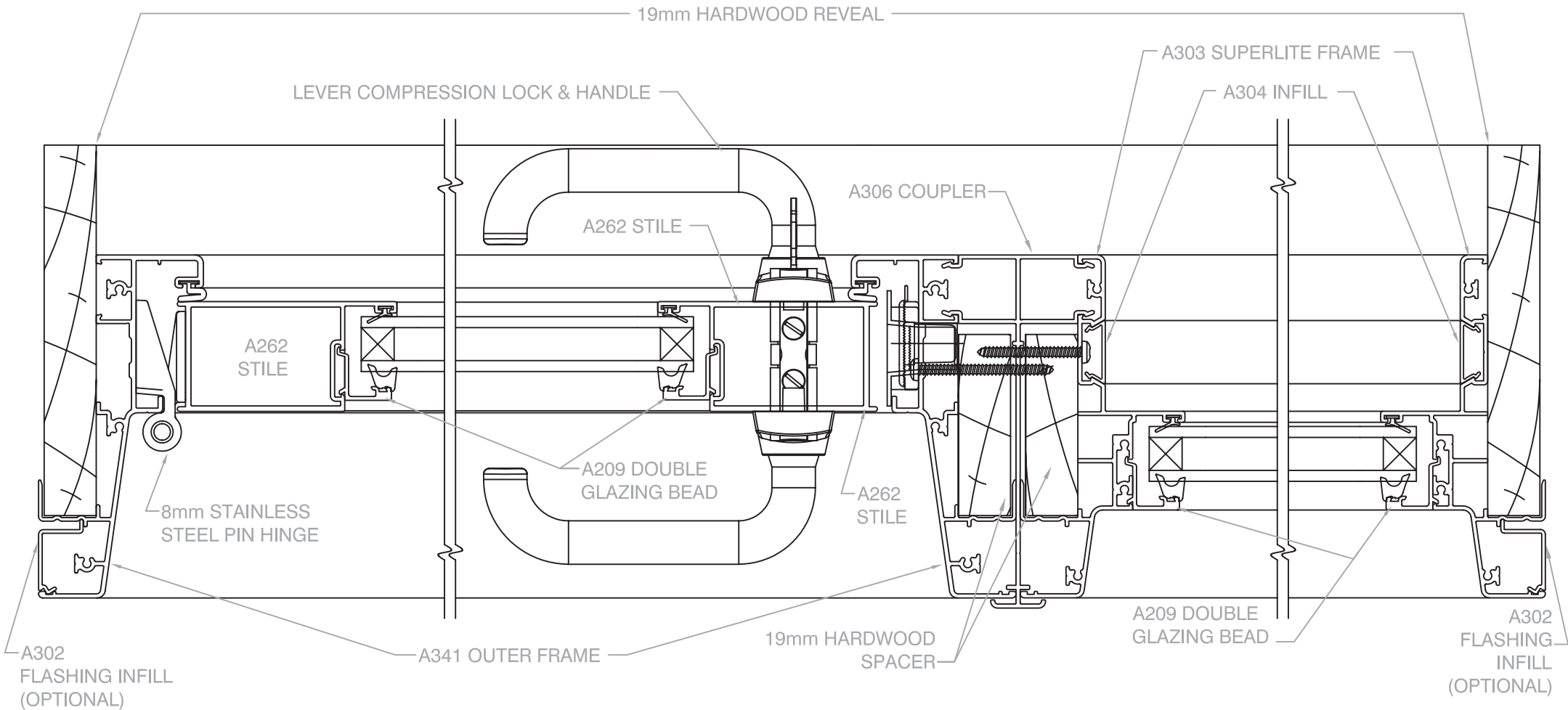


### Scale 1 : 2 @ A4, Vertical Cross Section

The intellectual property on this drawing including rights in respect of copyright & patents are owned by Rylock Pty. Ltd. All rights reserved. This drawing expires 31 December, 2014 or earlier. Visit [www.rylock.com](http://www.rylock.com) for most current version

# HINGED DOOR OPEN-OUT

AA SERIES



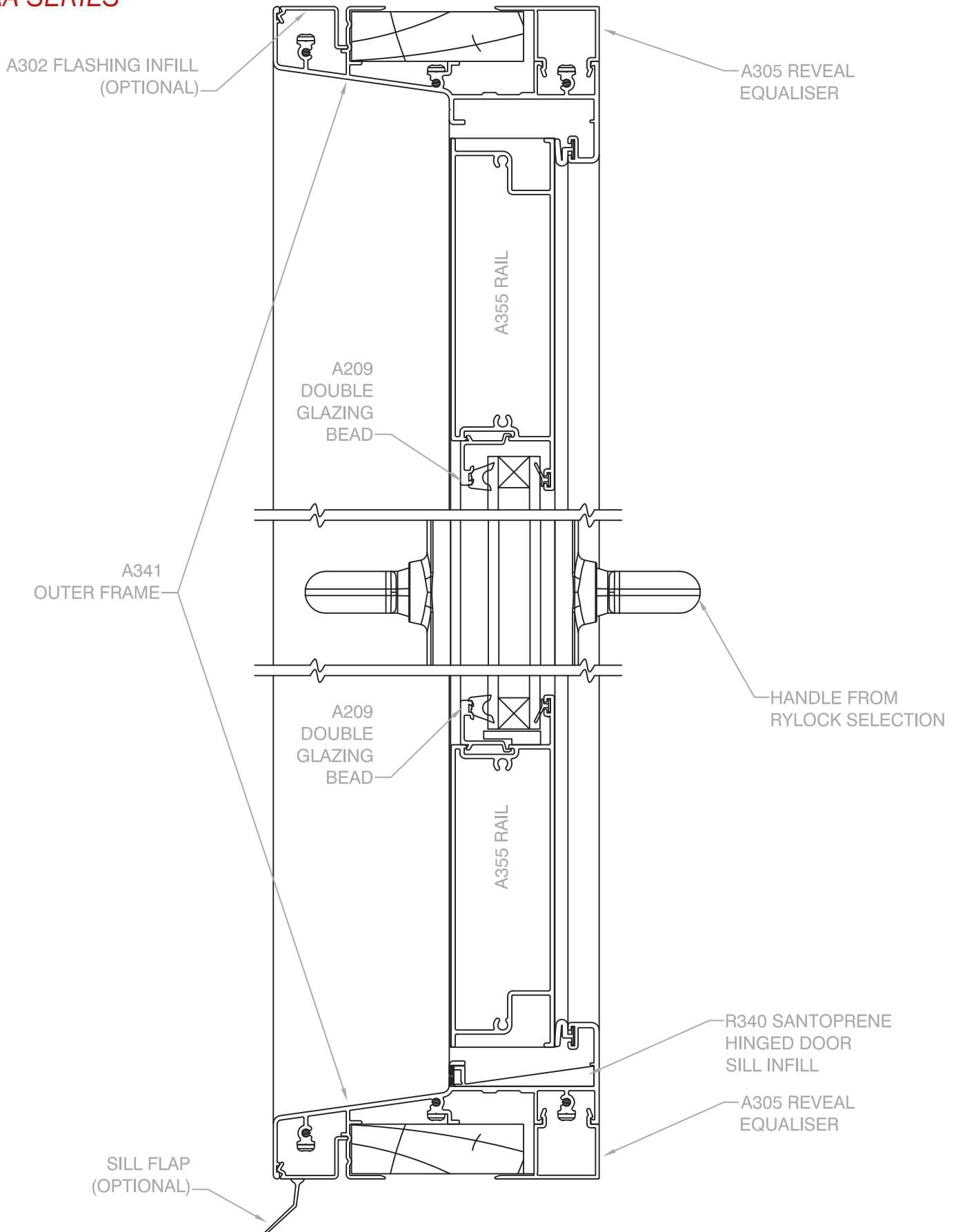
Scale 1 : 2 @ A4, Horizontal Cross Section of Open-Out Hinged Door, Single Panel with Sidelite

The intellectual property on this drawing including rights in respect of copyright & patents are owned by Rylock Pty. Ltd.  
All rights reserved. This drawings expire 31 December, 2014 or earlier. Visit [www.rylock.com](http://www.rylock.com) for most current version

# HINGED DOOR OPEN-OUT (with Reveal Equaliser)



## AA SERIES



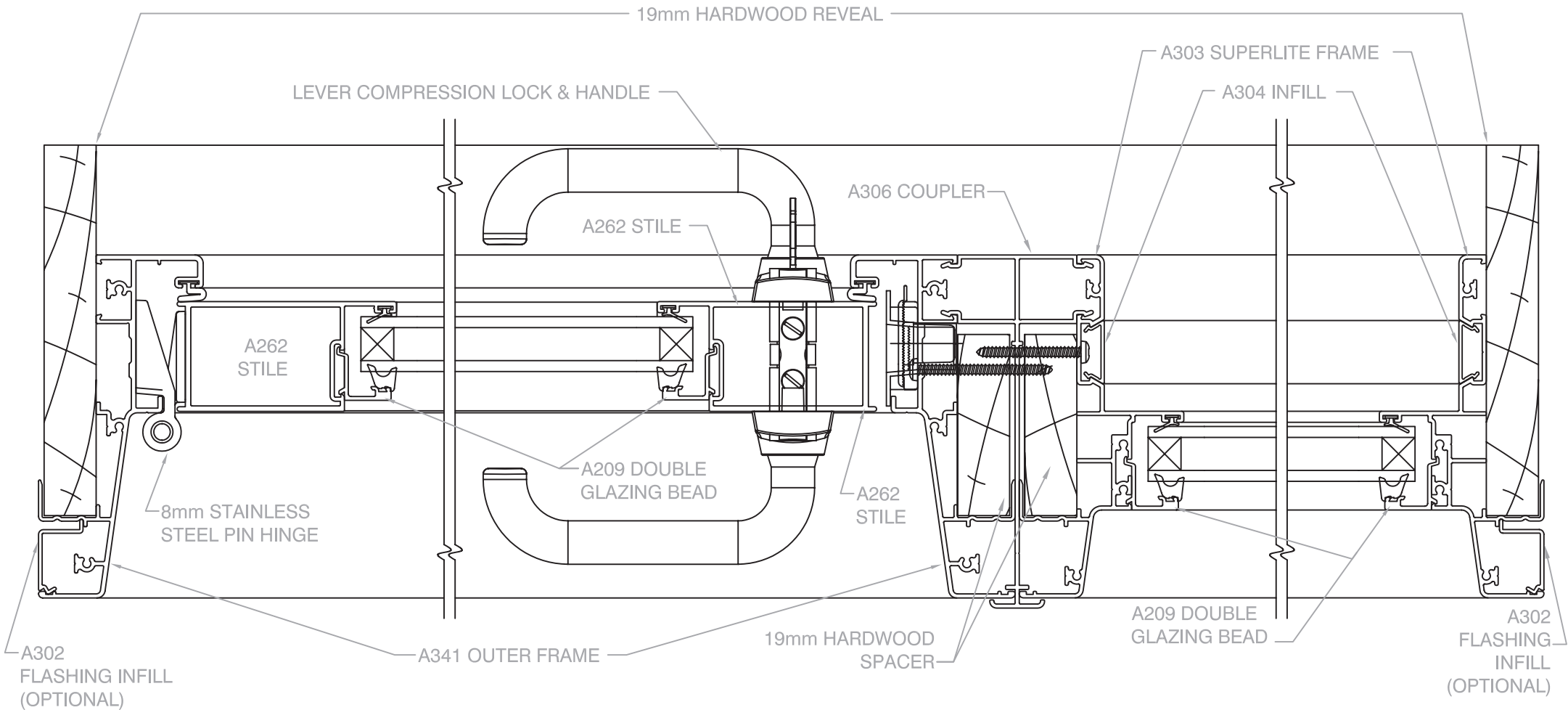
Scale 1 : 2 @ A4, Vertical Cross Section illustrating A305 Reveal Equaliser

The intellectual property on this drawing including rights in respect of copyright & patents are owned by Rylock Pty. Ltd. All rights reserved. This drawing expires 31 December, 2014 or earlier. Visit [www.rylock.com](http://www.rylock.com) for most current version

# HINGED DOOR OPEN-OUT (with Reveal Equaliser)



AA SERIES



Scale 1 : 2 @ A4, Horizontal Cross Section of Open-Out Hinged Door, Single Panel with Sidelite, & A305 Reveal Equaliser

The intellectual property on this drawing including rights in respect of copyright & patents are owned by Rylock Pty. Ltd.  
All rights reserved. This drawings expire 31 December, 2014 or earlier. Visit [www.rylock.com](http://www.rylock.com) for most current version