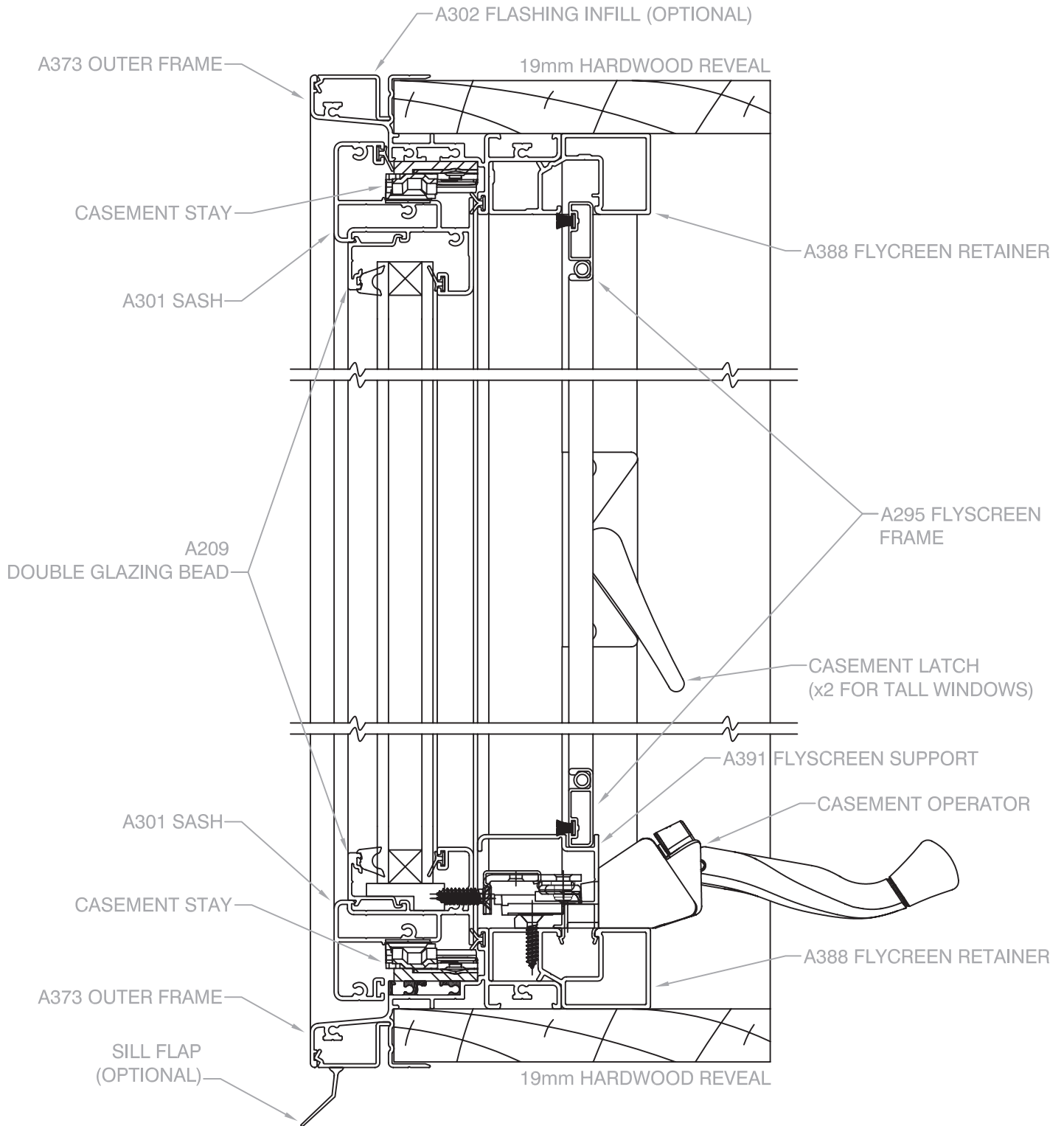


# OPERATED CASEMENT WINDOW

## AA SERIES

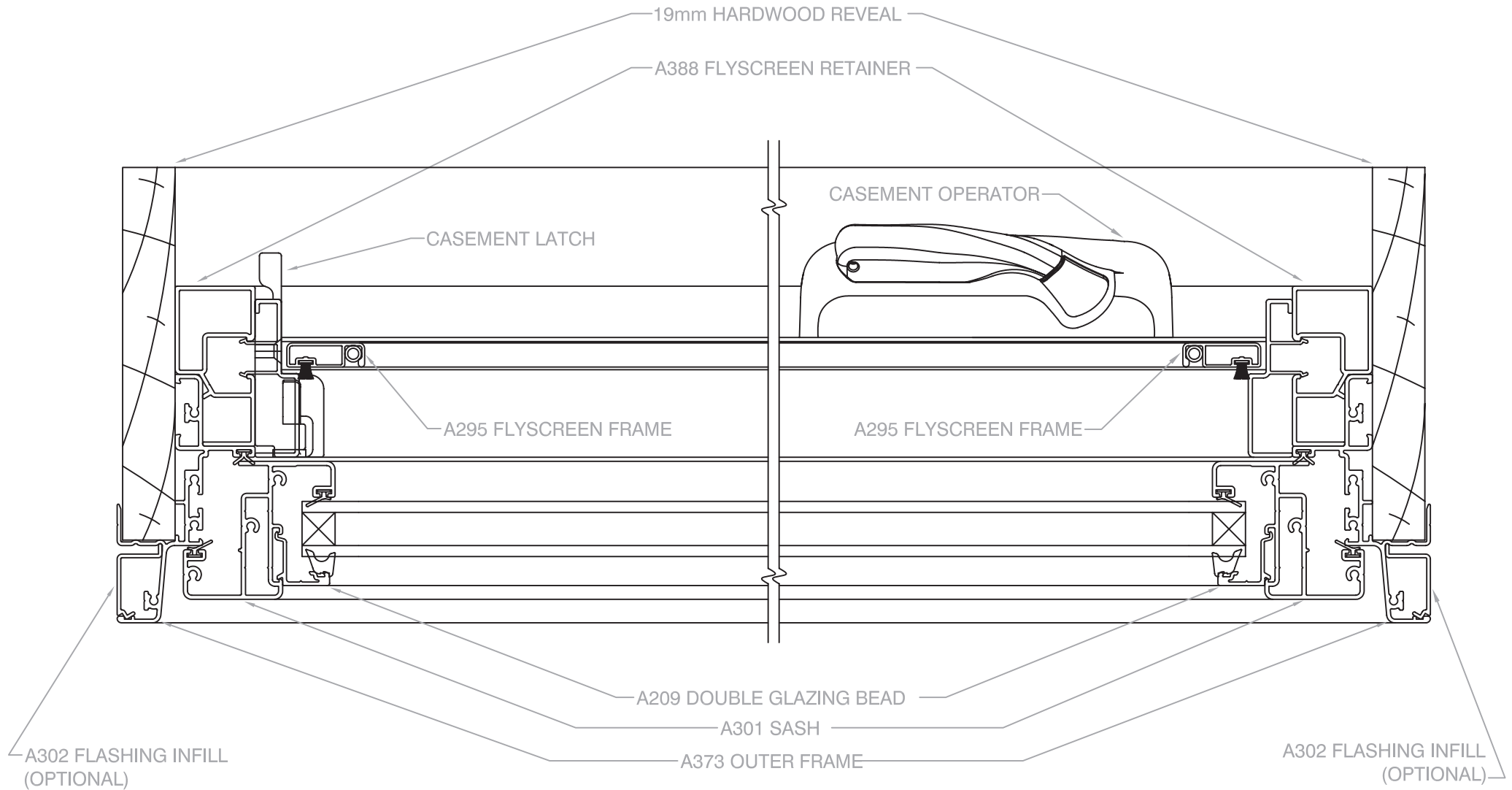


### Scale 1 : 2 @ A4, Vertical Cross Section

The intellectual property on this drawing including rights in respect of copyright & patents are owned by Rylock Pty. Ltd. All rights reserved. This drawing expires 31 December, 2014 or earlier. Visit [www.rylock.com](http://www.rylock.com) for most current version

# OPERATED CASEMENT WINDOW

AA SERIES

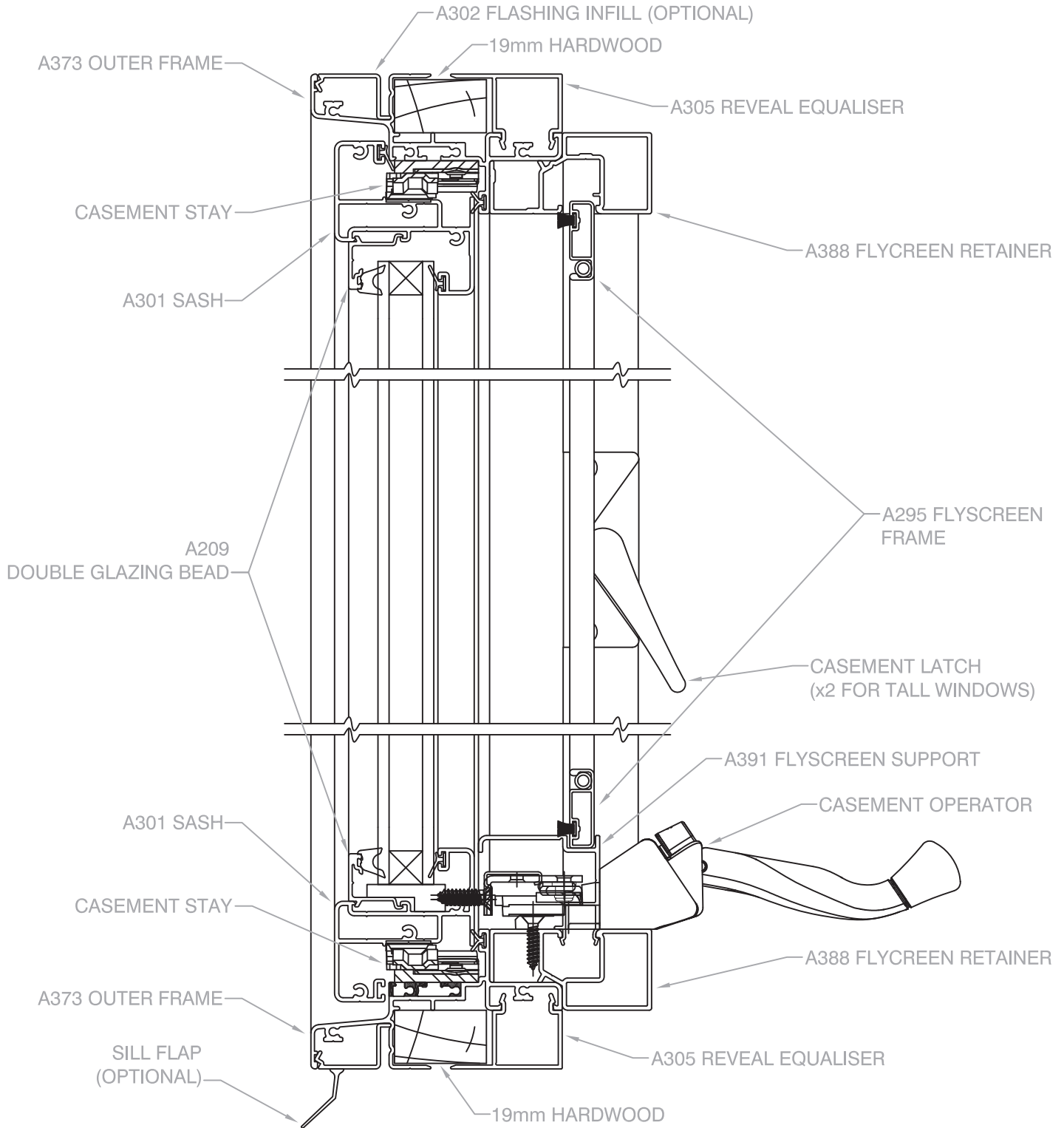


Scale 1 : 2 @ A4, Horizontal Cross Section

The intellectual property on this drawing including rights in respect of copyright & patents are owned by Rylock Pty. Ltd. All rights reserved. This drawing expires 31 December, 2014 or earlier. Visit [www.rylock.com](http://www.rylock.com) for most current version

# OPERATED CASEMENT WINDOW (with Reveal Equaliser)

## AA SERIES



### Scale 1 : 2 @ A4, Vertical Cross Section illustrating A305 Reveal Equaliser

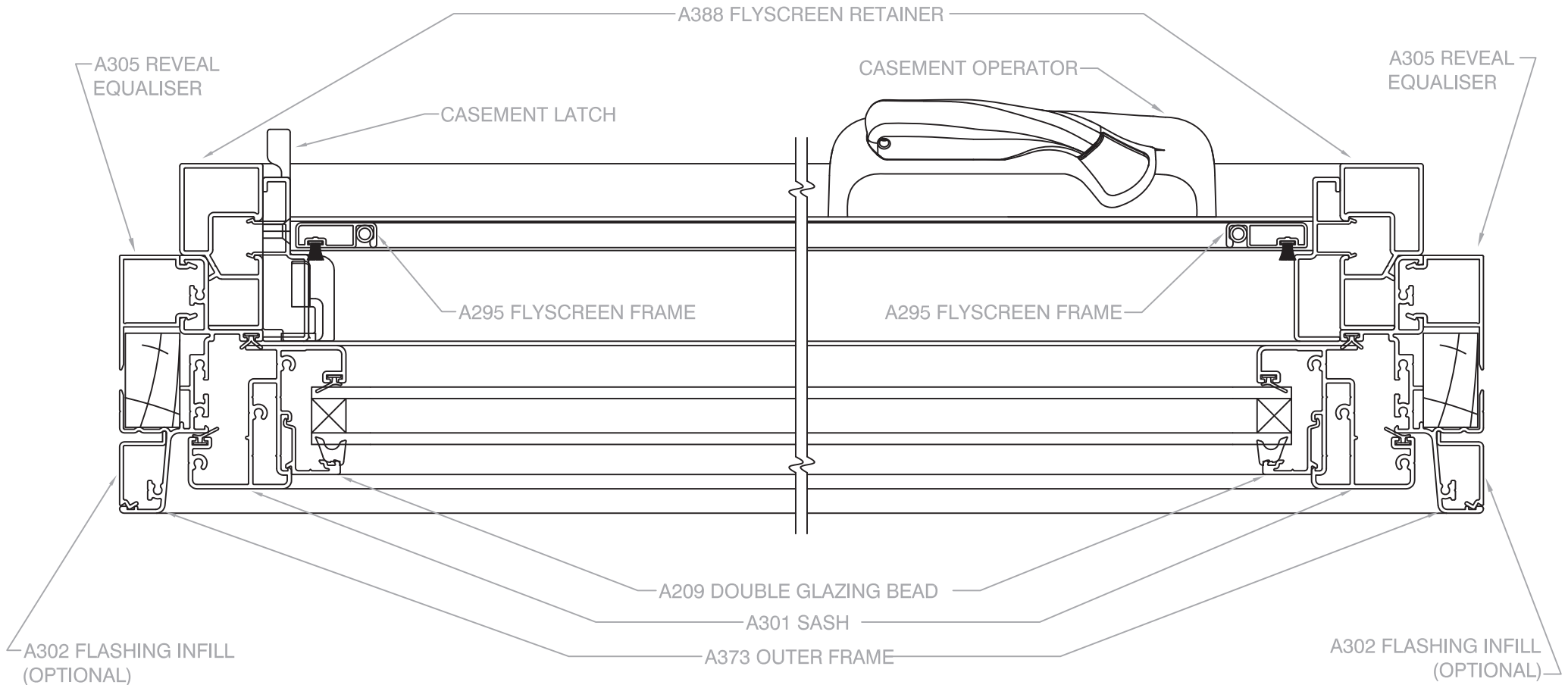
The intellectual property on this drawing including rights in respect of copyright & patents are owned by Rylock Pty. Ltd. All rights reserved. This drawing expires 31 December, 2014 or earlier. Visit [www.rylock.com](http://www.rylock.com) for most current version

# OPERATED CASEMENT WINDOW

(with Reveal Equaliser)



## AA SERIES



### Scale 1 : 2 @ A4, Horizontal Cross Section illustrating A305 Reveal Equaliser

The intellectual property on this drawing including rights in respect of copyright & patents are owned by Rylock Pty. Ltd. All rights reserved. This drawing expires 31 December, 2014 or earlier. Visit [www.rylock.com](http://www.rylock.com) for most current version