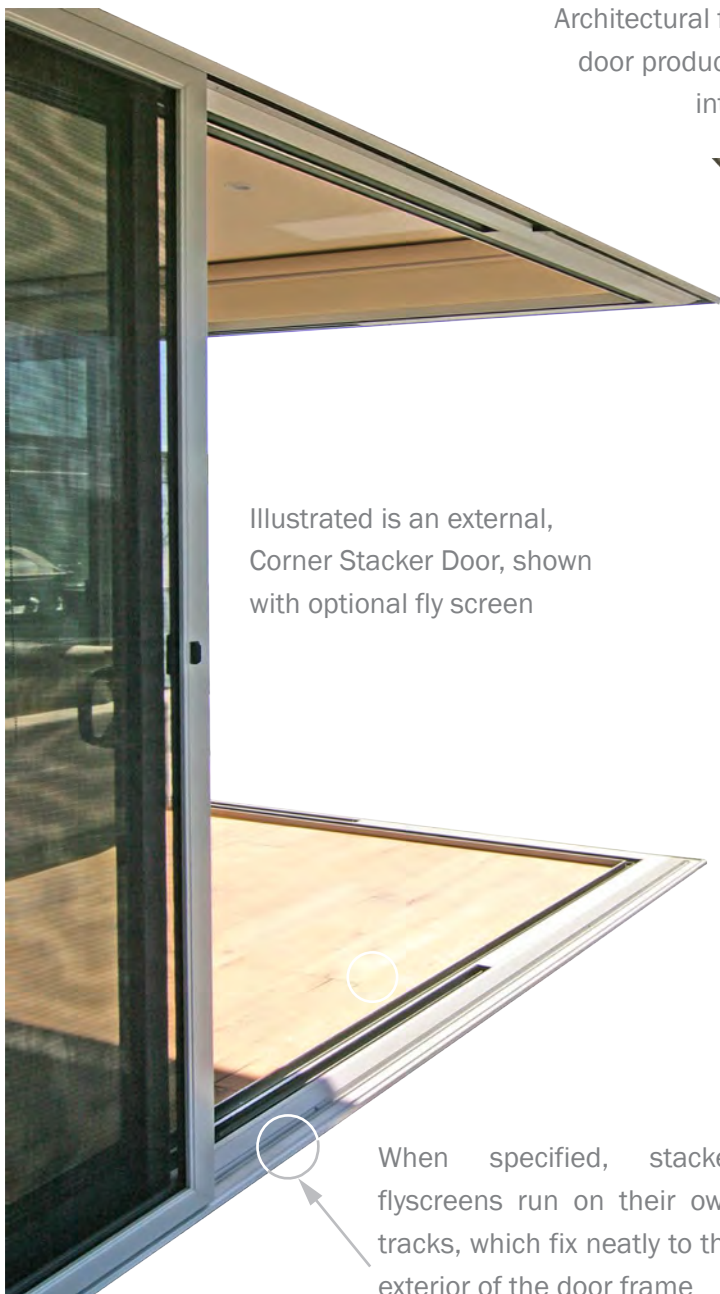


# CORNER SLIDING & 6 PANEL STACKER DOORS



## AA SERIES

Architectural features such as alfresco dining areas or cantilevered structures often demand more than traditional, linear door products. In response, Rylock has expanded its 4 Panel Sliding & 6 Panel Stacker Door configurations to include internal & external corner versions. Naturally, this includes provision for fly screening in all designs



Illustrated is an external, Corner Stacker Door, shown with optional fly screen

When specified, stacker flyscreens run on their own tracks, which fix neatly to the exterior of the door frame



As both corner doors are evolutions of sliding & stacker doors respectively, the vast majority of frame design & hardware can be seen in more detail within the relevant Product Brochures. Note however, that the instile lock & architectural handle cannot be fitted to any corner doors



Shown above is an internal, corner sliding door, with standard flyscreen

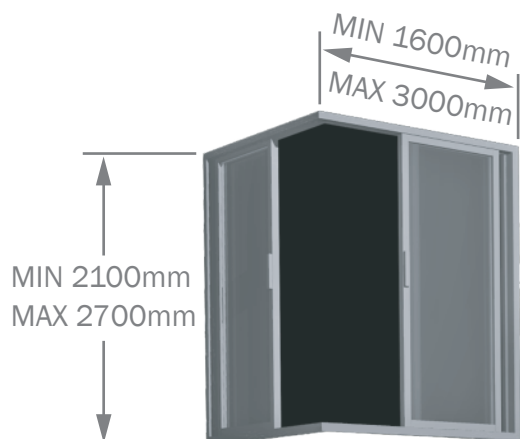
Shown at left is an external corner sliding door

# CORNER SLIDING & 6 PANEL STACKER DOORS



## AA SERIES

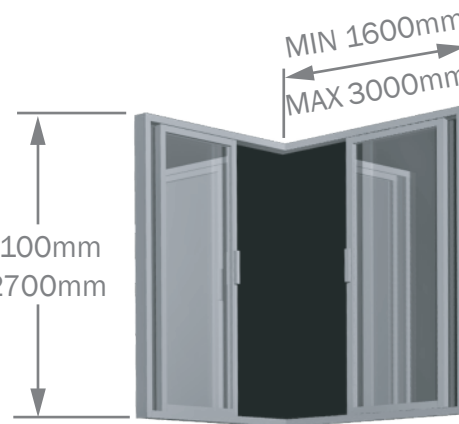
EXTERNAL CORNER,  
4 PANEL  
SLIDING DOORS



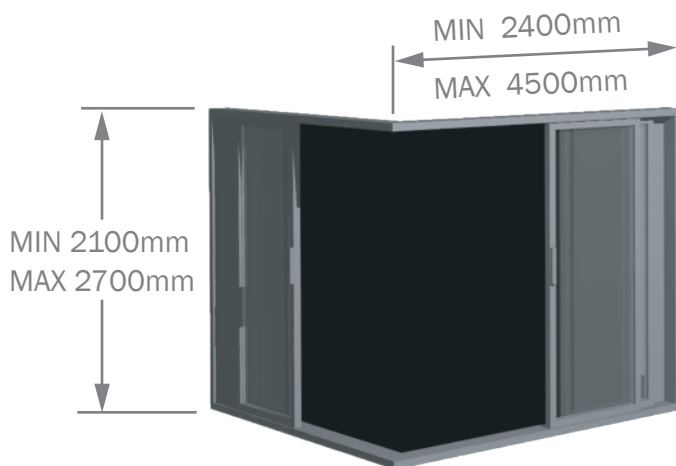
MIN 2100mm  
MAX 2700mm

MIN 1600mm  
MAX 3000mm

INTERNAL CORNER,  
4 PANEL  
SLIDING DOORS



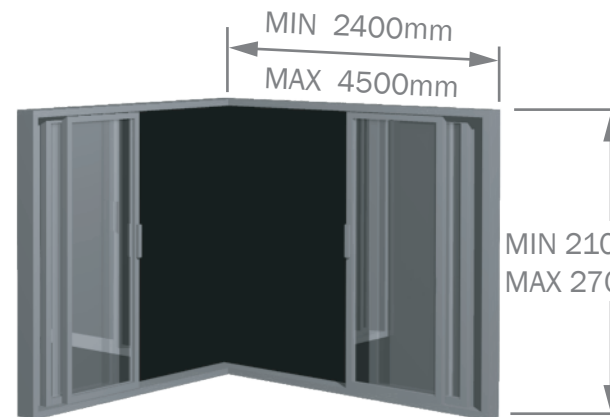
EXTERNAL CORNER,  
6 PANEL  
STACKER DOORS



MIN 2100mm  
MAX 2700mm

MIN 2400mm  
MAX 4500mm

INTERNAL CORNER,  
6 PANEL  
STACKER DOORS



MIN 2100mm  
MAX 2700mm

MIN 2400mm  
MAX 4500mm

**NOTE:** ALL SIZES ARE TYPICAL RATHER THAN DEFINITIVE. FOR SIZES OUTSIDE OF THESE PLEASE TALK WITH YOUR RYLOCK SALES CONSULTANT. NOTE THAT FLYSCREEN DOORS OVER 1200mm IN WIDTH WILL REQUIRE A SPREADER BAR TO RETAIN MESH TENSION

### Sizing

Door style & opening detail should be considered as viewed externally  
 Sizes indicated are the overall door size, & are the same for both sides of the corner door. For Stud openings add 20mm to both height & width

### Glazing

Glazing strength to minimum N3 rating as per AS4055 - 2006  
 Glazing to be grade A safety glass

### Certification

Certified performance data is available for this product on request

### Specify

Frame colour, configuration, height, width & depth  
 Optional: handle type & colour (no instile option), patio bolts, flyscreen, frame infill, frame equaliser, sill flap, glass type